



T&S BRASS AND BRONZE WORKS, INC.
 2 SADDLEBACK COVE / P.O. BOX 1088 / TRAVELERS REST, SC 29690
 PHONE 800-476-4103 FAX 864- 834-3518

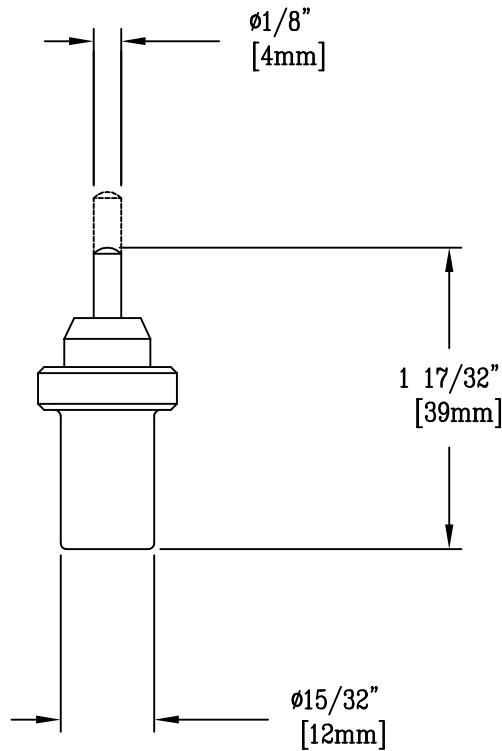


Model No.
 006621-45
 Item No.:

Job Name:

Architect/Engineer Approval:

Notes:



Product Description:
 3/8" THERMOSTAT

Drawn:
 WJS
 Approved

Checked
 Date:

Scale:
 1 : 1