



T&S BRASS AND BRONZE WORKS, INC.

2 SADDLEBACK COVE / P.O. BOX 1088 / TRAVELERS REST, SC 29690

PHONE 800-476-4103

FAX 864- 834-3518



REG.#A2601  
ISO #9002

009562-45

Item No.:

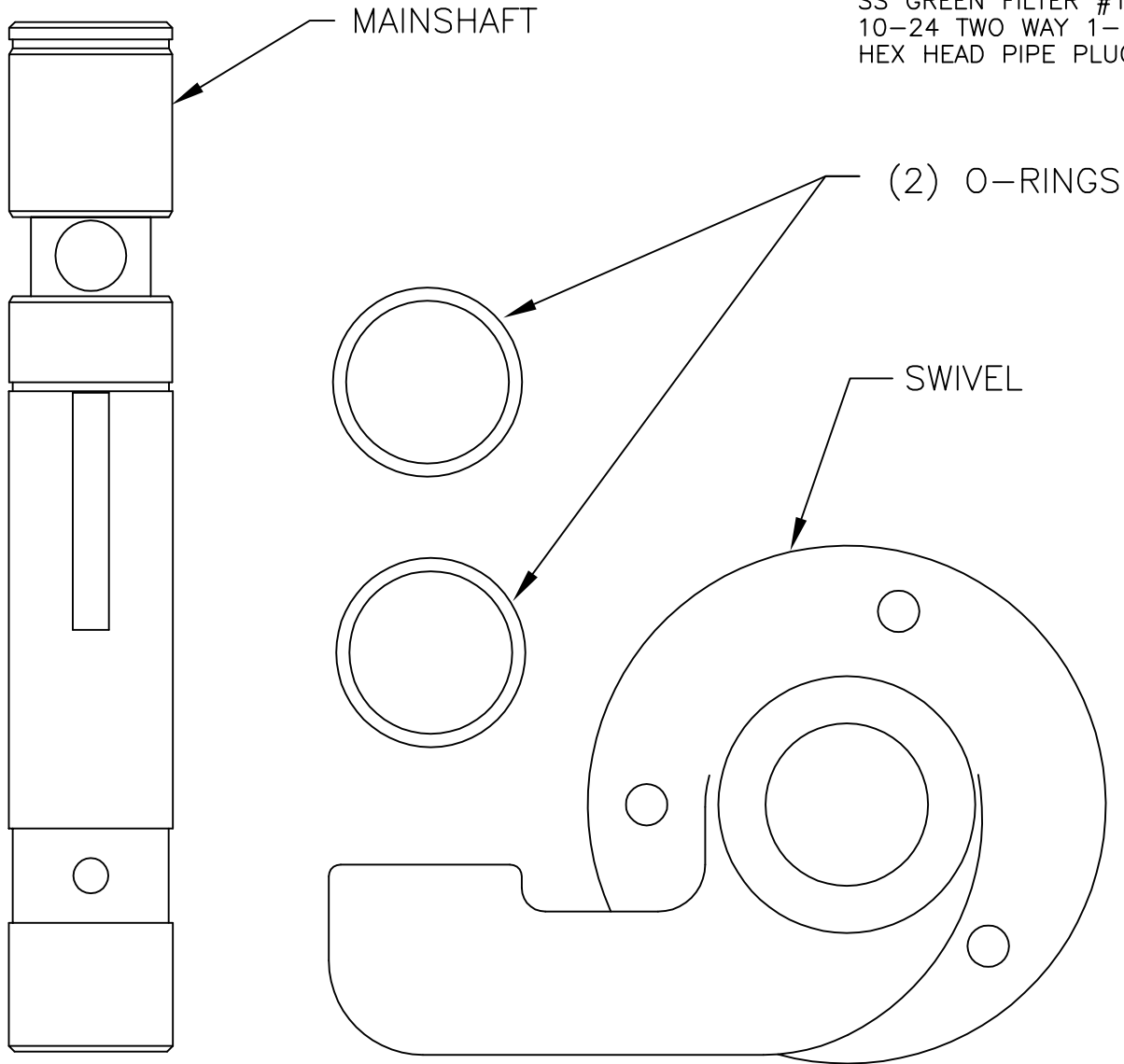
Job Name:

Architect/Engineer Approval:

Notes:

KIT ALSO INCLUDES:

DESCRIPTION	QUANTITY
3/4 LONG KEY	1
RETAINING RING EXTE	1
WASHER	1
WASHER	2
PIPE BUSHING	1
SS GREEN FILTER #15	1
10-24 TWO WAY 1-131	3
HEX HEAD PIPE PLUG	2



Product Description:

SWIVEL REPAIR KIT

Drawn:

WJS

Approved

MVW

Checked

JKD

Scale:

NTS

Date:

8/14/98