



T&S BRASS AND BRONZE WORKS, INC.

2 SADDLEBACK COVE / P.O. BOX 1088 / TRAVELERS REST, SC 29690

PHONE 800-476-4103

FAX 864- 834-3518



Sales No.

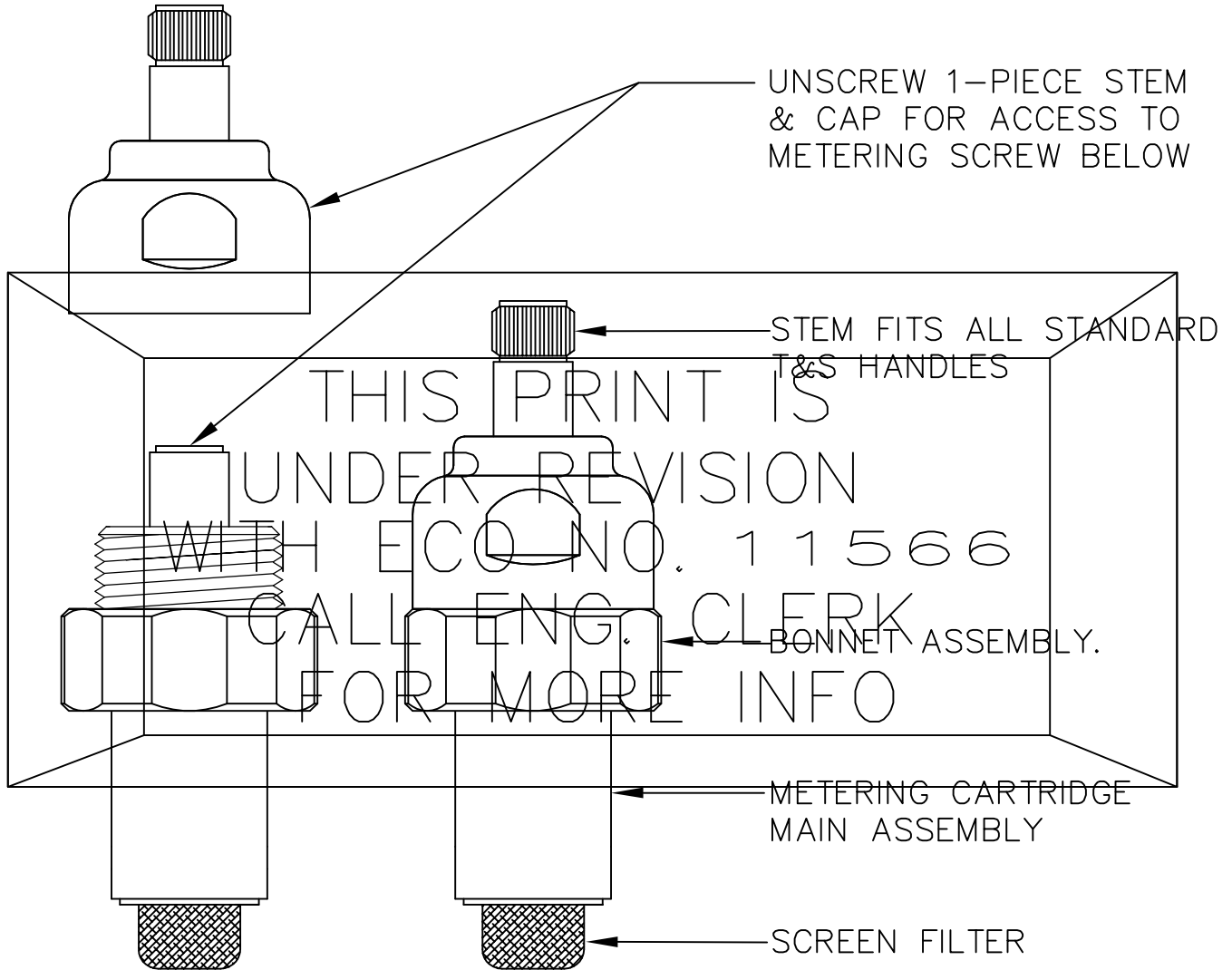
010306-40

Item No.:

Job Name:

Architect/Engineer Approval:

Notes:



ADA COMPLIANT

Product Description:

WRIST ACTION METERING CARTRIDGE SALES PART

Drawn:

WJS

Approved

MVW

Checked

DMA

Scale:

1 : 1

Date:

7/23/98