

T&S BRASS AND BRONZE WORKS, INC.
 2 SADDLEBACK COVE / P.O. BOX 1088 / TRAVELERS REST, SC 29690
 PHONE 800-476-4103 FAX 864- 834-3518



Sales No.

010307-40

Item No.:

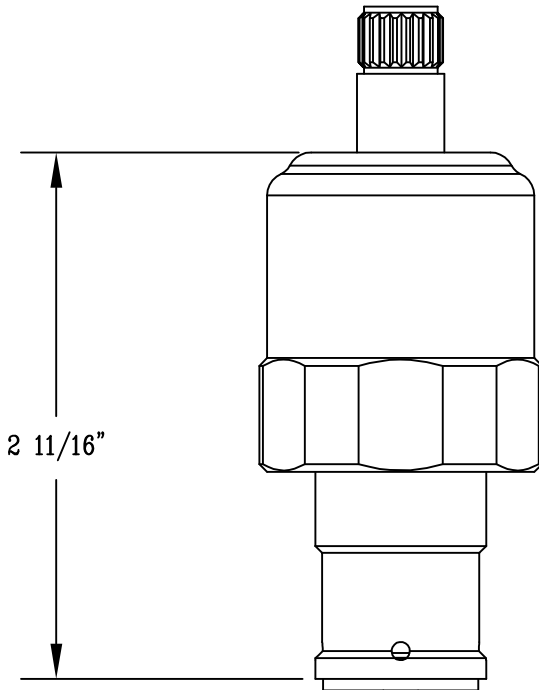
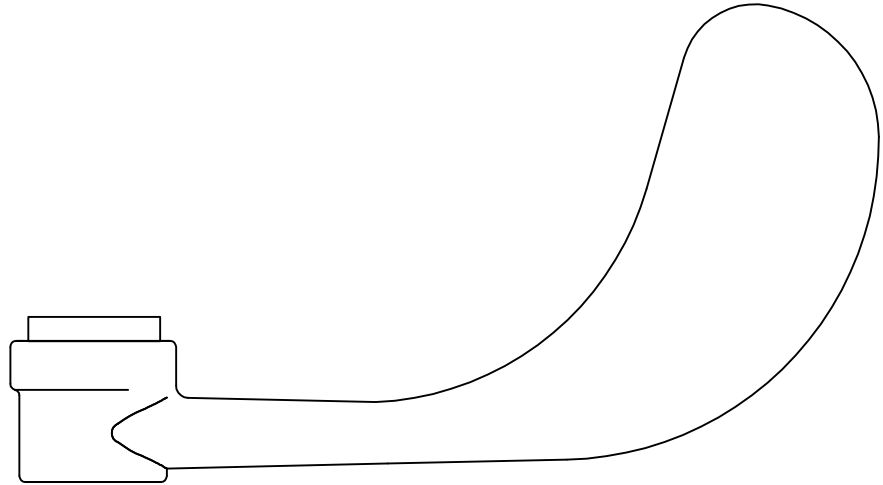
Job Name:

Architect/Engineer Approval:

Notes:



ADA COMPLIANT



Product Description:

WRIST ACTION METERING CARTRIDGE w/ HANDLE

Drawn:

LEL

Approved

MVW

Checked

WJS

Scale:

1 : 1

Date:

12/22/03