

T&S BRASS AND BRONZE WORKS, INC.

2 SADDLEBACK COVE / P.O. BOX 1088 / TRAVELERS REST, SC 29690

PHONE 800-476-4103

FAX 864- 834-3518



REG. #A2601
ISO #9002

Sales No.

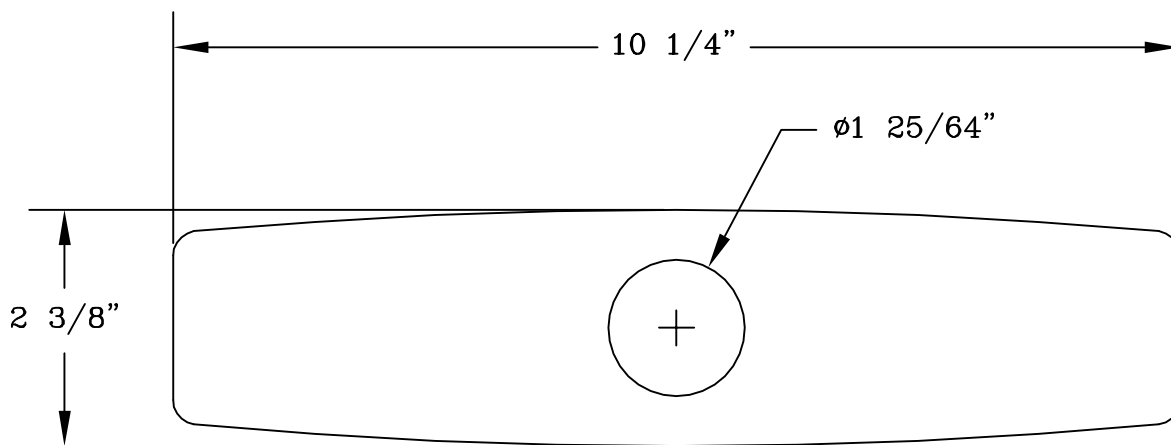
011624-45

Item No.:

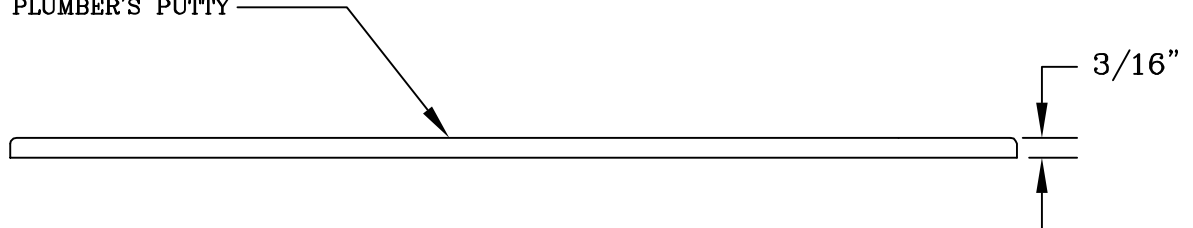
Job Name:

Architect/Engineer Approval:

Notes:



POLISH CHROME PLATED
COVER PLATE SUPPLIED
w/ SUPPORT SPACERS &
PLUMBER'S PUTTY



Product Description:

10" COVERPLATE FOR SINGLE LEVER FAUCETS

Drawn:

WJS

Checked

JKD

Scale:

1 : 2

Approved

MVW

Date:

12/4/01