



T&S BRASS AND BRONZE WORKS, INC.

2 SADDLEBACK COVE / P.O. BOX 1088 / TRAVELERS REST, SC 29690

PHONE 800-476-4103

FAX 864- 834-3518



Model No.

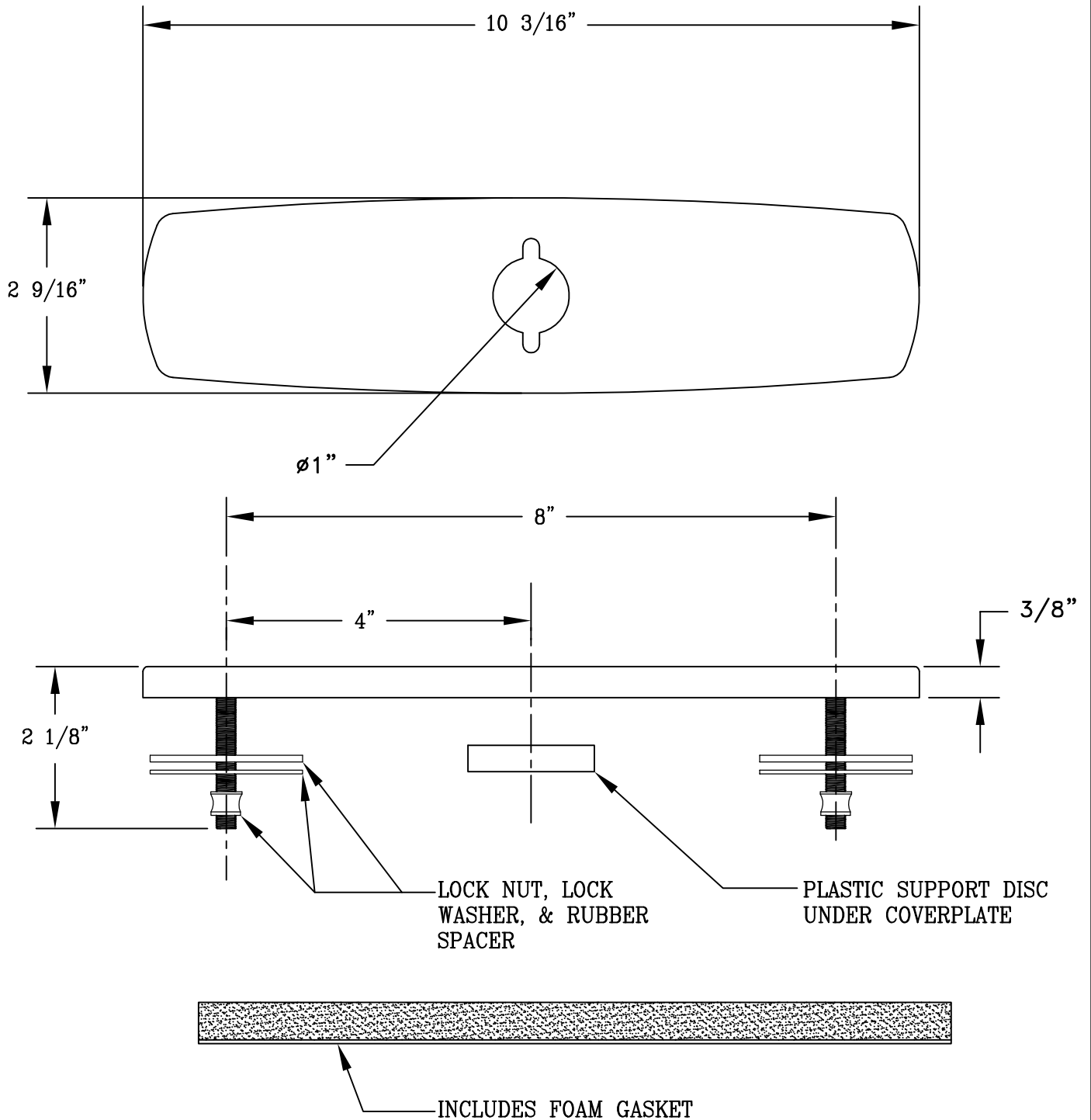
013155-45

Item No.:

Job Name:

Architect/Engineer Approval:

Notes:



Product Description:

CHEKPOINT COVER PLATE

Drawn:

WJS

Checked:

JKD

Scale:

NTS

Approved:

MVW

Date:

11-16-01