



T&S BRASS AND BRONZE WORKS, INC.  
 2 SADDLEBACK COVE / P.O. BOX 1088 / TRAVELERS REST, SC 29690  
 PHONE 800-476-4103 FAX 864- 834-3518



Sales No.

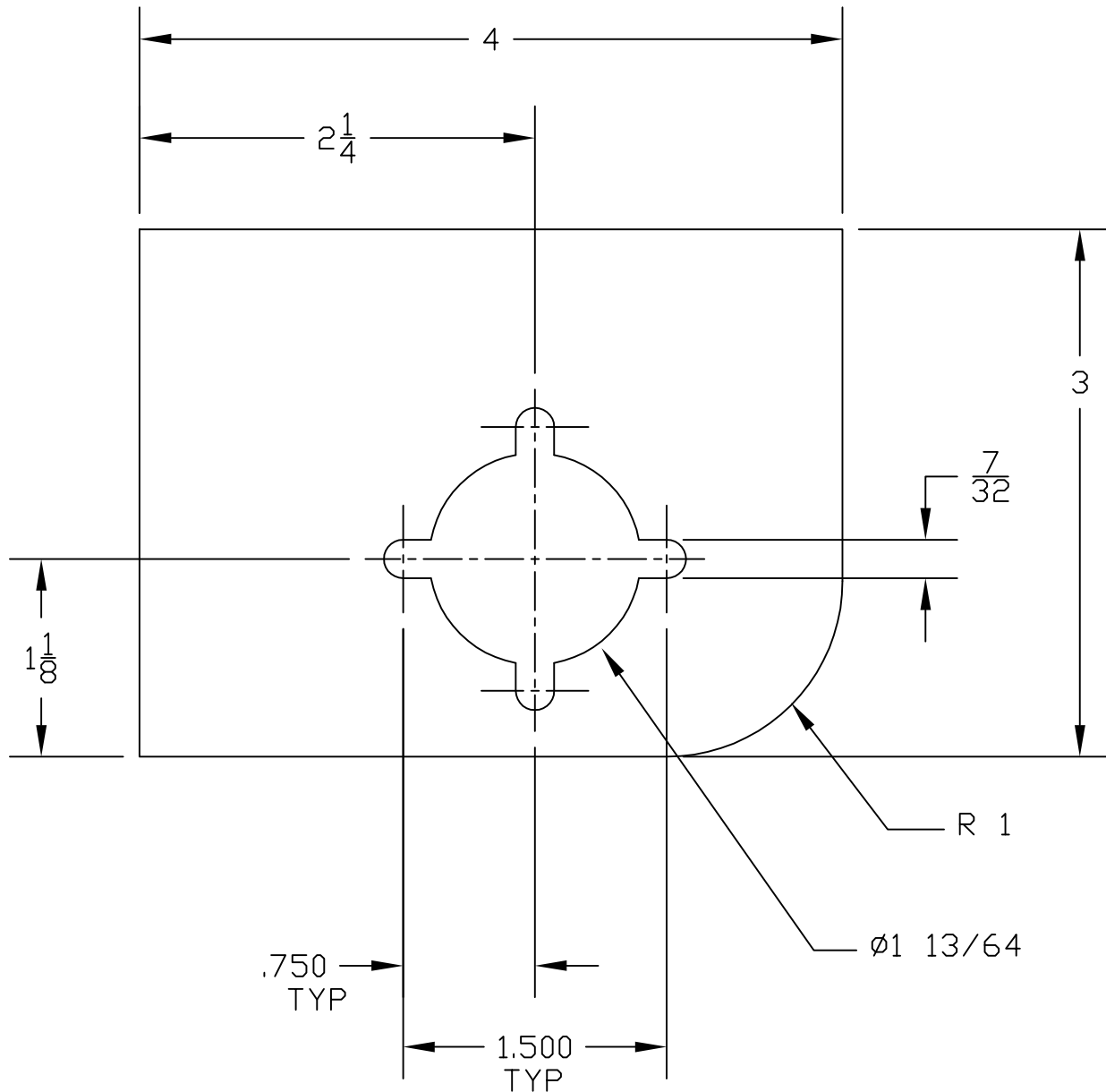
013402-45

Item No.:

Job Name:

Architect/Engineer Approval:

Notes:



Product Description:  
 STAINLESS STEEL (10 GA) BACKING PLATE FOR USE  
 WITH SS SINKS & B-0300-STYLE VR FAUCETS

Drawn:

MVW

Approved

MVW

Checked

JKD

Scale:

1 : 1

Date:

8/22/1