



T&S BRASS AND BRONZE WORKS, INC.
 2 SADDLEBACK COVE / P.O. BOX 1088 / TRAVELERS REST, SC 29690
 PHONE 800-476-4103 - FAX 864- 834-3518



Sales No.

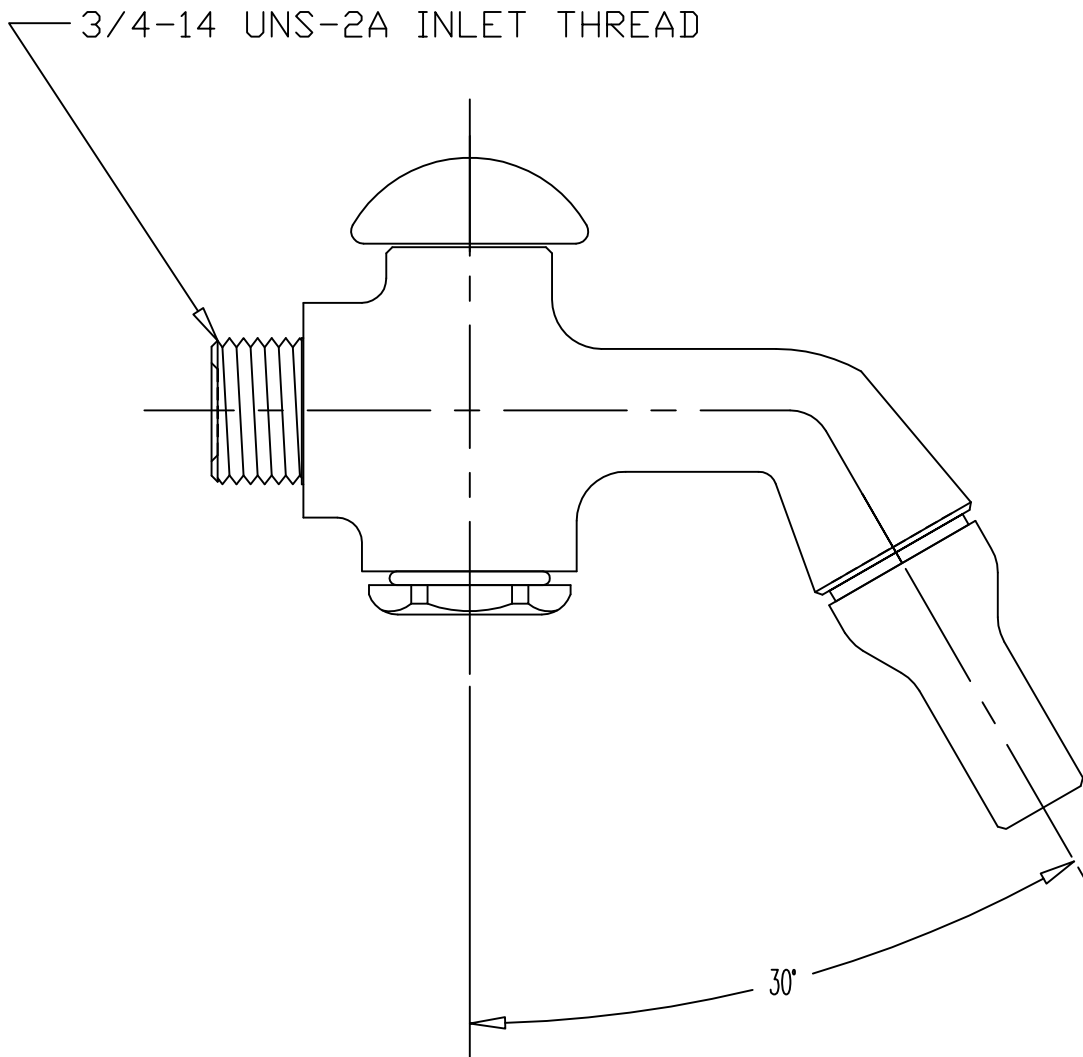
013986-40

**RELIABILITY
BUILT IN**

Job Name:

Architect/Engineer Approval:

Notes:



Product Description:

SPRAY VALVE ASSEMBLY
 FOR B-1407-G HOSE REEL

Drawn:

MVW

Checked

JKD

Scale:

1 : 1

Approved

MVW

Date:

01/10/03