



**T&S BRASS AND BRONZE WORKS, INC.**  
 2 SADDLEBACK COVE / P.O. BOX 1088 / TRAVELERS REST, SC 29690  
 PHONE 800-476-4103 FAX 864- 834-3518



Model No.

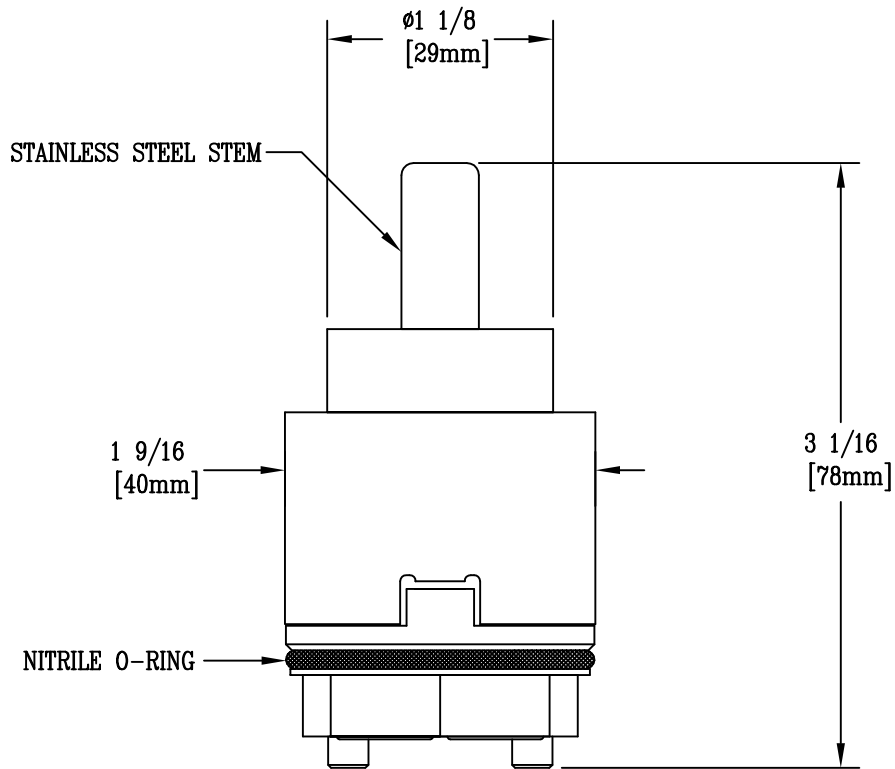
014164-45

Item No.:

Job Name:

Architect/Engineer Approval:

Notes:



**MODELS USED IN:**  
 B-2700, B-2701, B-2702 & B-2703

Product Description:

SINGLE LEVER FAUCET CARTRIDGE

Drawn:

TEH

Approved

MVW

Checked

WJS

Scale:

Date:

4/12/04