



T&S BRASS AND BRONZE WORKS, INC.
 2 SADDLEBACK COVE / P.O. BOX 1088 / TRAVELERS REST, SC 29690
 PHONE 800-476-4103 FAX 864- 834-3518



REG.#A2601
 ISO #9002

Sales No.

016A

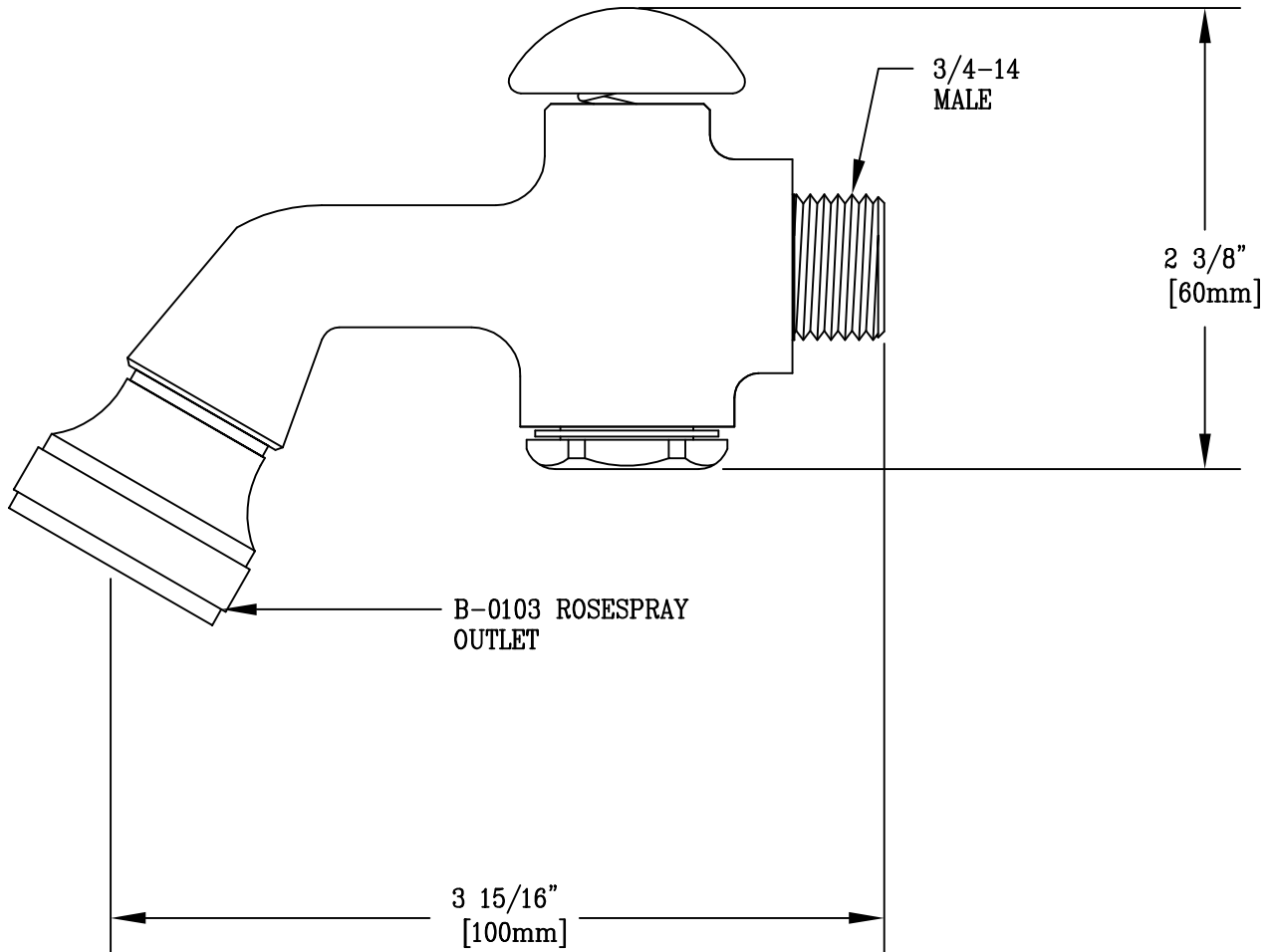
Item No.:

Job Name:

Architect/Engineer Approval:

Notes:

EPAct 2005 Non-Compliant



Product Description:

Drawn:

Checked

Scale:

WJS

JRM

1 : 1

B-0101 STYLE SPRAY VALVE ASSEMBLY

Approved

Date:

JHB

03/18/06