



T&S BRASS AND BRONZE WORKS, INC.
 2 SADDLEBACK COVE / P.O. BOX 1088 / TRAVELERS REST, SC 29690
 PHONE 800-476-4103 FAX 864-834-3518



Model No.

078S

Item No.:

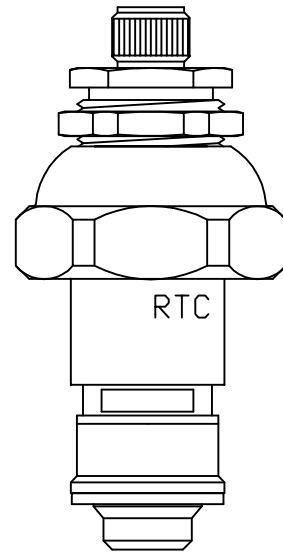
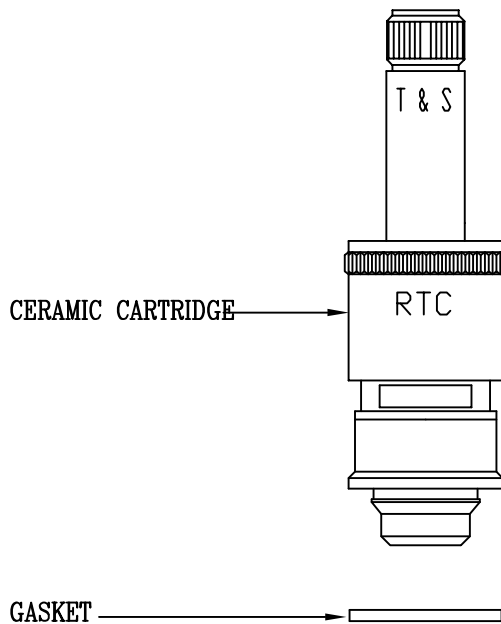
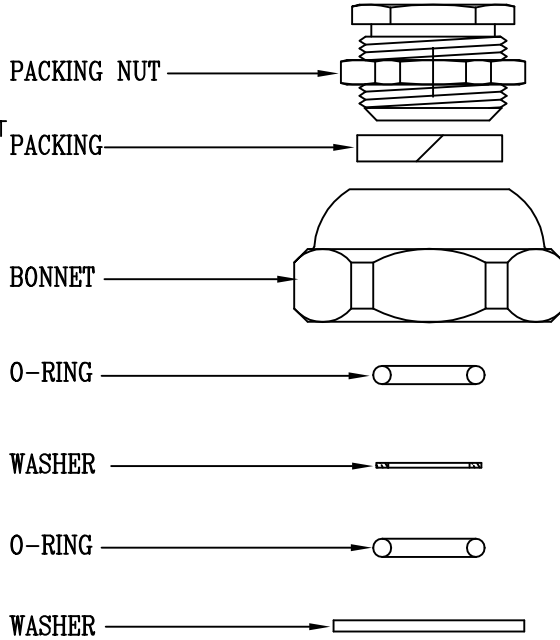
Job Name:

Architect/Engineer Approval:

Notes:



ADA COMPLIANT



COMPLETED 78-S.

Product Description:
 RIGHT TURN (COLD) CERAMIC CARTRIDGE
 ASSEMBLY LESS CHECK VALVES FOR
 MODELS WITH ESCUTCHEONS

Drawn:

WJS

Checked

MVW

Scale:

3"=1'

Approved

CA

Date:

1/2/98