



T&S BRASS AND BRONZE WORKS, INC.
 2 SADDLEBACK COVE / P.O. BOX 1088 / TRAVELERS REST, SC 29690
 PHONE 800-476-4103 FAX 864- 834-3518



Sales No.

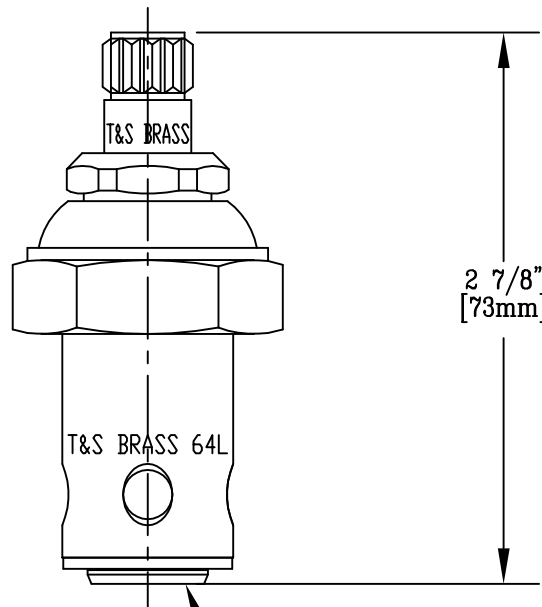
160-A

Item No.:

Job Name:

Architect/Engineer Approval:

Notes:



ETERNA CARTRIDGE ASM.
 FITS MOST T&S BASE FCTS.

Product Description:

REMOVABLE HOT WATER ETERNA CARTRIDGE ASSEMBLY

Drawn:

WJS

Approved

MVW

Checked

DMA

Scale:

1:1

Date:

2/17/98