

This Space For Architect/Engineer Approval

Job Name _____ Date _____

Model Specified _____ Quantity _____

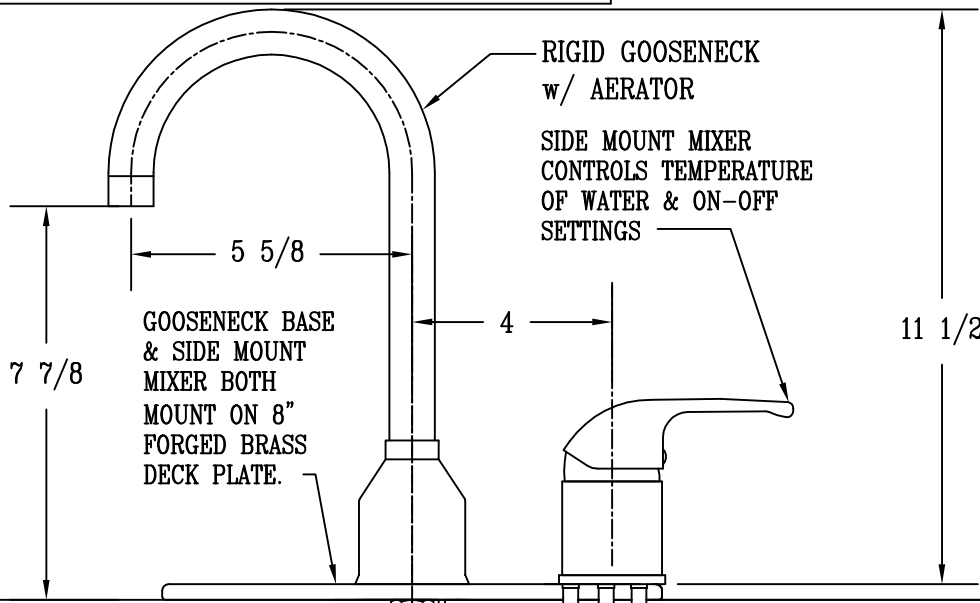
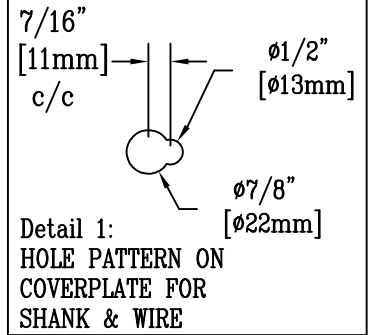
Customer/Wholesaler _____

Contractor _____

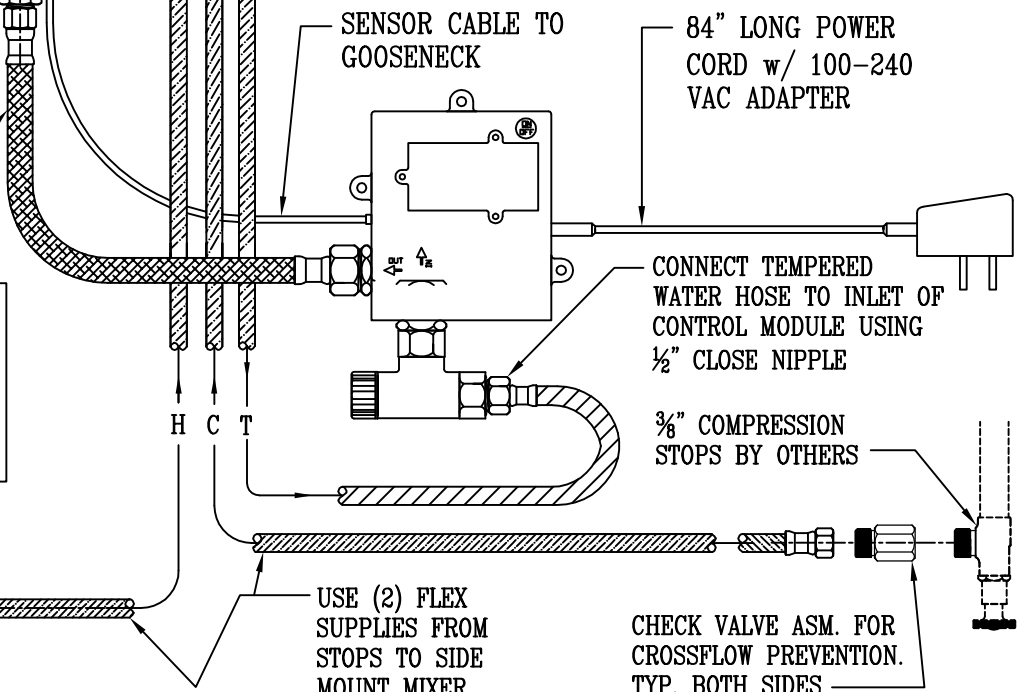
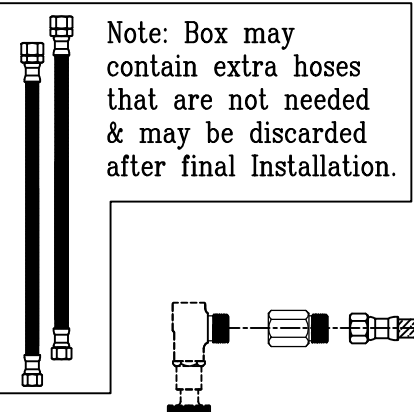
Architect/Engineer _____

NOTE:

TO ENSURE PROPER OPERATION OF SENSOR FAUCET, SIDE MOUNT MIXER SHOULD REMAIN IN THE OPEN POSITION AT ALL TIMES



FURNISHED w/ 1/4" NPSM FE. x 1/2" NPSM FEMALE x 18" LONG FLEXIBLE ST. STEEL HOSE BETWEEN SHANK & CONTROL MODULE



MODEL NUMBER	DATE	SCALE	DRAWN	CHECKED	APPROVED
5EF-1D-DGSM	12/22/06	1:8	WJS	GEF	JHB

equip Foodservice Accessories
P.O. BOX 1088, 2 SADDLEBACK COVE
TRAVELERS REST, SOUTH CAROLINA 29690
PHONE: 800.891.4808 FAX: 800.868.0084

DESCRIPTION

ELECTRONIC FAUCET w/ DECKPLATE & SIDE MOUNT MIXER AND CHECK VALVES FOR CROSSFLOW PREVENTION