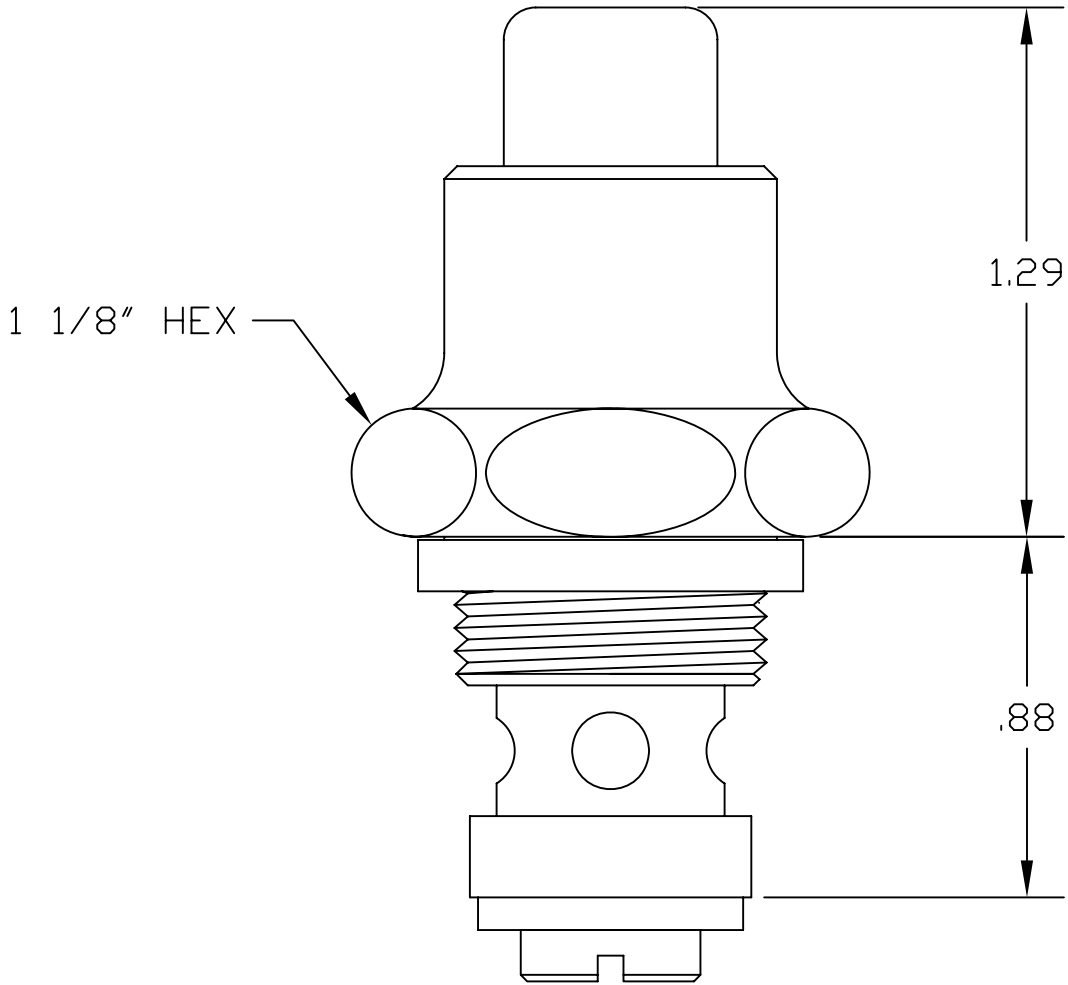


This Space For Architect/Engineer Approval
 Job Name _____ Date _____
 Model Specified _____ Quantity _____
 Customer/Wholesaler _____
 Contractor _____
 Architect/Engineer _____



MODEL NUMBER SSV-B	DATE 3/21/06	SCALE 2:1	DRAWN DHL	CHECKED WJS	APPROVED JHB
-----------------------	-----------------	--------------	--------------	----------------	-----------------



DESCRIPTION SPRAY VALVE BONNET ASSEMBLY

equip Foodservice Accessories
 P.O. BOX 1088, 2 SADDLEBACK COVE
 TRAVELERS REST, SOUTH CAROLINA 29690
 PHONE: 800.891.4808 FAX: 800.868.0084