



# T&S BRASS AND BRONZE WORKS, INC.

2 Saddleback Cove / P.O. Box 1088  
Travelers Rest, SC 29690



REG. #A2601  
ISO #9001

Model No.  
**B-0318**

Item No.

Travelers Rest, SC: 800-476-4103 Simi Valley, CA: 800-423-0150 Fax: 864-834-3518 www.tsbrass.com

This Space for Architect/Engineer Approval

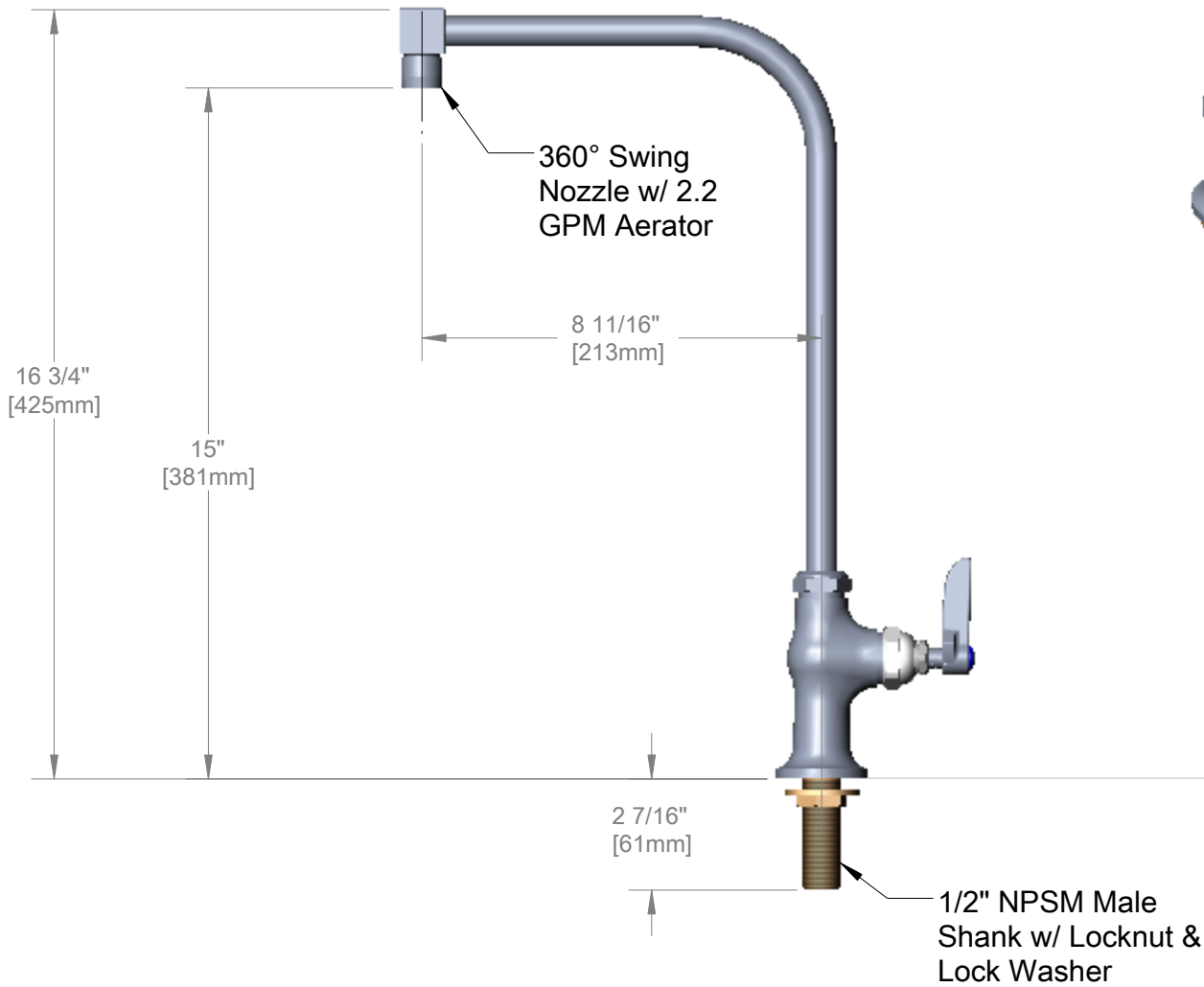
Job Name \_\_\_\_\_ Date \_\_\_\_\_

Model Specified \_\_\_\_\_ Quantity \_\_\_\_\_

Customer/Wholesaler \_\_\_\_\_

Contractor \_\_\_\_\_

Architect/Engineer \_\_\_\_\_



Product Specifications:  
Pot Filler Base & Swing Nozzle  
w/ 2.2 GPM Aerator

Drawn  
WJS

Checked  
JRM

Approved  
JHB

Scale:

1:4

Date:

11/13/06



**T&S BRASS AND BRONZE WORKS, INC.**

2 Saddleback Cove / P.O. Box 1088  
Travelers Rest, SC 29690

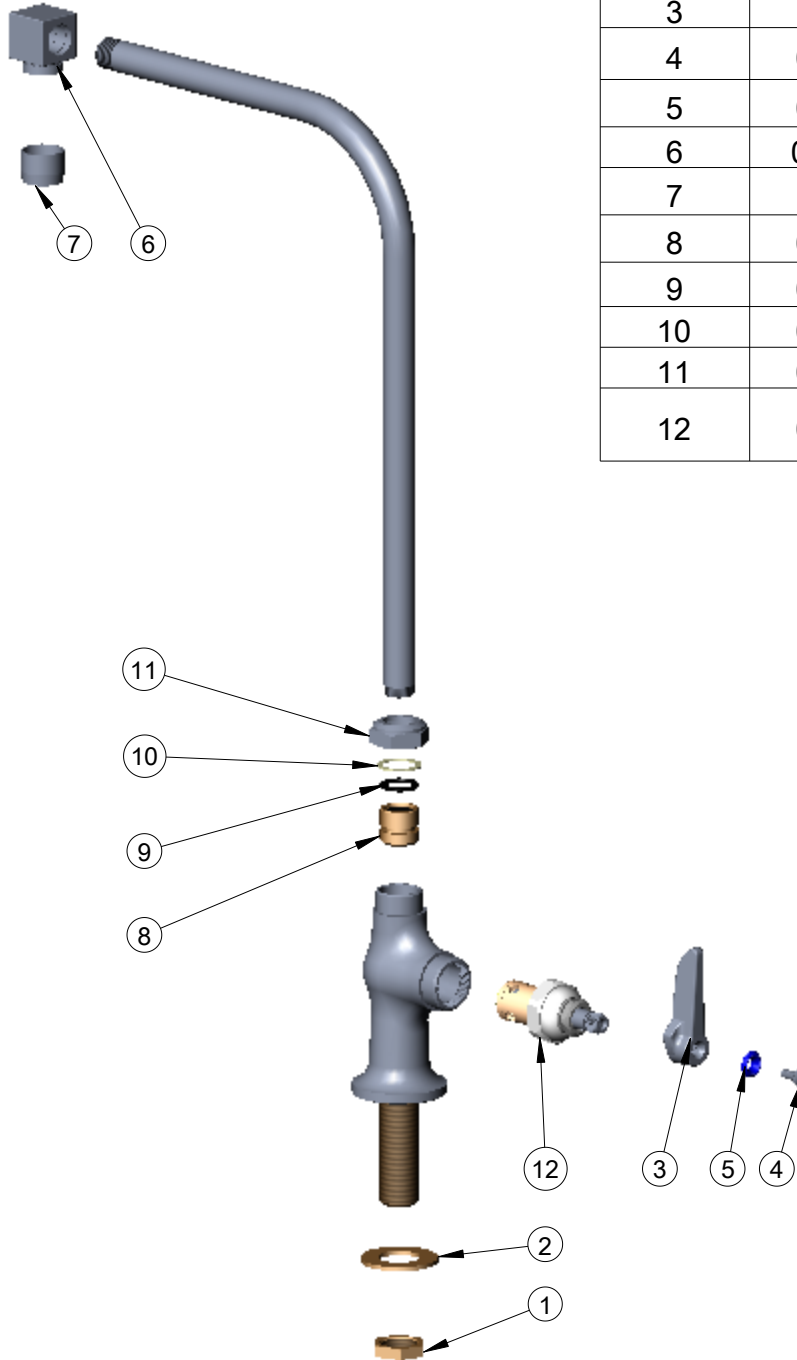


REG. #A2601  
ISO #9001

Model No.  
**B-0318**

Item No.

Travelers Rest, SC: 800-476-4103 Simi Valley, CA: 800-423-0150 Fax: 864-834-3518 www.tsbrass.com



ITEM	PART NO.	DESCRIPTION
1	002954-45	Shank Lock Nut
2	007361-45	Brass Lock Washer
3	177F	Lever Handle
4	000922-45	Lever Handle Screw
5	001660-45	Blue Index-CW
6	002823-40	Cube
7	B-0199-01	2.2 GPM Aerator
8	000846-16	Swivel Piece
9	001074-45	O-Ring
10	001023-45	Swivel Sleeve
11	001524-40	Swivel Nut
12	005960-40	Eterna Ctg

Product Specifications:

Pot Filler Base & Swing Nozzle  
w/ 2.2 GPM Aerator

Drawn WJS	Checked JRM	Approved JHB
Scale: 1:4		Date: 11/13/06