



T&S BRASS AND BRONZE WORKS, INC.
 2 SADDLEBACK COVE / P.O. BOX 1088 / TRAVELERS REST, SC 29690
 PHONE 800-476-4103 - FAX 864- 834-3518



Model No.

B-0517

**RELIABILITY
 BUILT IN**

Job Name:

Architect/Engineer Approval:

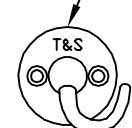
Notes:

3" c/c MIXING
 FAUCET w/ SPRING
 CHECK SPINDLES &
 LEVER HANDLES

PUSH BUTTON SPRAY
 VALVE w/ HOOK
 NOZZLE

CHROME PLATED
 BRASS DECK FLANGE
 HOSE GUIDE

WALL HOOK



1/2" NPT
 MALE
 INLETS

3 1/16"
 [79mm]

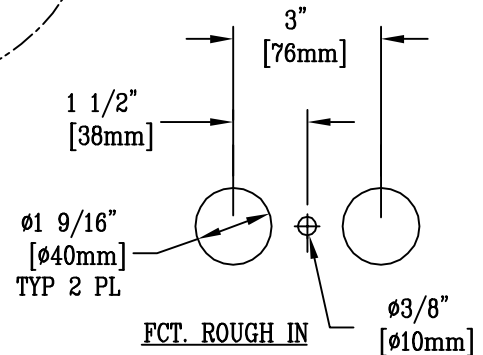
3"
 [76mm]

ø1 1/2"
 [ø38mm]

FLANGE ROUGH IN

60" FLEXIBLE
 STAINLESS STEEL
 HOSE w/
 POLYURETHANE
 INNER HOSE

RECOMMENDED PRESSURE RANGE: 20-125 PSI.
 MAX OPERATING TEMPERATURE 150° F.



Product Description:
 3" c/c DECK MOUNT MIXING FAUCET w/ SPRING CHECKS, 60" FLEXIBLE
 STAINLESS STEEL HOSE, PUSH BUTTON SPRAY VALVE, HOOK NOZZLE,
 AND WALL HOOK

Drawn: WJS	Checked LEL	Scale: 1 : 4
Approved MVW	Date: 7/24/03	