



**T&S BRASS AND BRONZE WORKS, INC.**  
 2 SADDLEBACK COVE / P.O. BOX 1088 / TRAVELERS REST, SC 29690  
 PHONE 800-476-4103 FAX 864-834-3518



Model No.

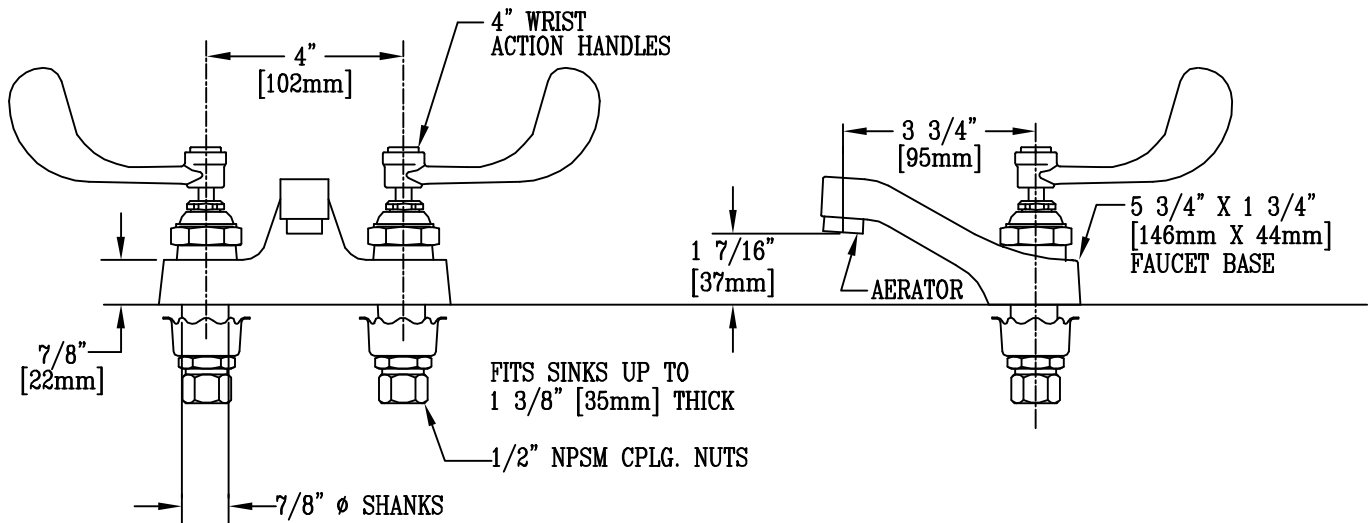
B-0871-04M

Item No.:

Job Name:

Architect/Engineer Approval:

Notes:



NOTE: ALSO AVAILABLE IN SINGLE PACKAGES  
 BY SPECIFYING B-0871-04

Product Description:

(6) EACH : B-0871-04 FAUCET

Drawn:

WJS

Approved

MVW

Checked

DMA

Scale:

3" = 1'

Date:

7/9/98