



T&S BRASS AND BRONZE WORKS, INC.

2 SADDLEBACK COVE / P.O. BOX 1088 / TRAVELERS REST, SC 29690

PHONE 800-476-4103

FAX 864- 834-3518



Model No.

B-1030-ST

Item No.:

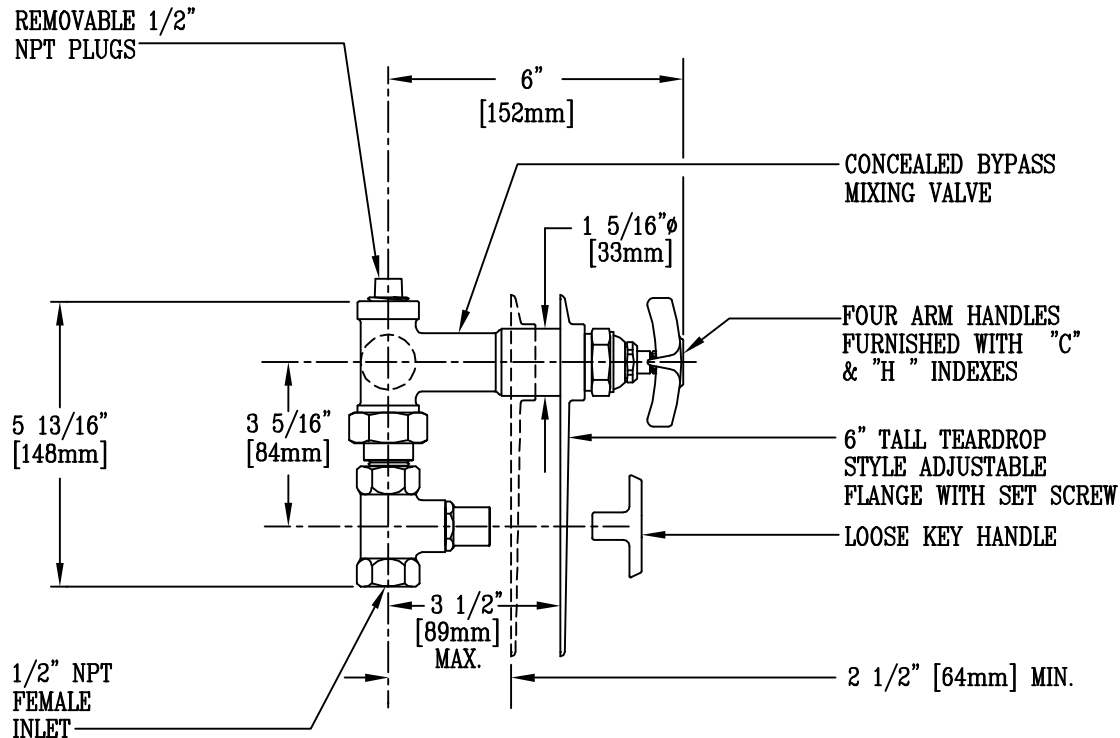
Job Name:

Architect/Engineer Approval:

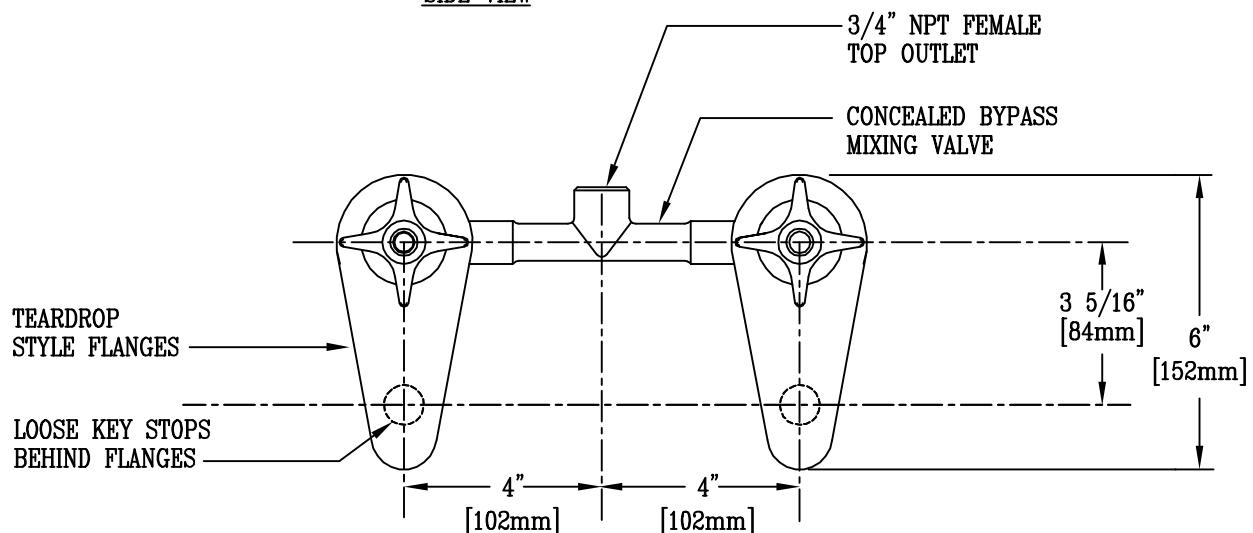
Notes:



ADA COMPLIANT



SIDE VIEW



FRONT VIEW

Product Description:
 CONCEALED BYPASS MIXING VALVE WITH
 1/2" NPT FEMALE INLETS, 3/4" NPT FEMALE
 TOP OUTLET, LOOSE KEY STOPS, & 4 ARM HANDLES

Drawn:

WJS

Checked:

DMA

Scale:

3" = 1'

Approved:

MVW

Date:

7-15-97