



**T&S BRASS AND BRONZE WORKS, INC.**  
 2 SADDLEBACK COVE / P.O. BOX 1088 / TRAVELERS REST, SC 29690  
 PHONE 800-476-4103 FAX 803-834-3518



Model No.

B-1070-ST

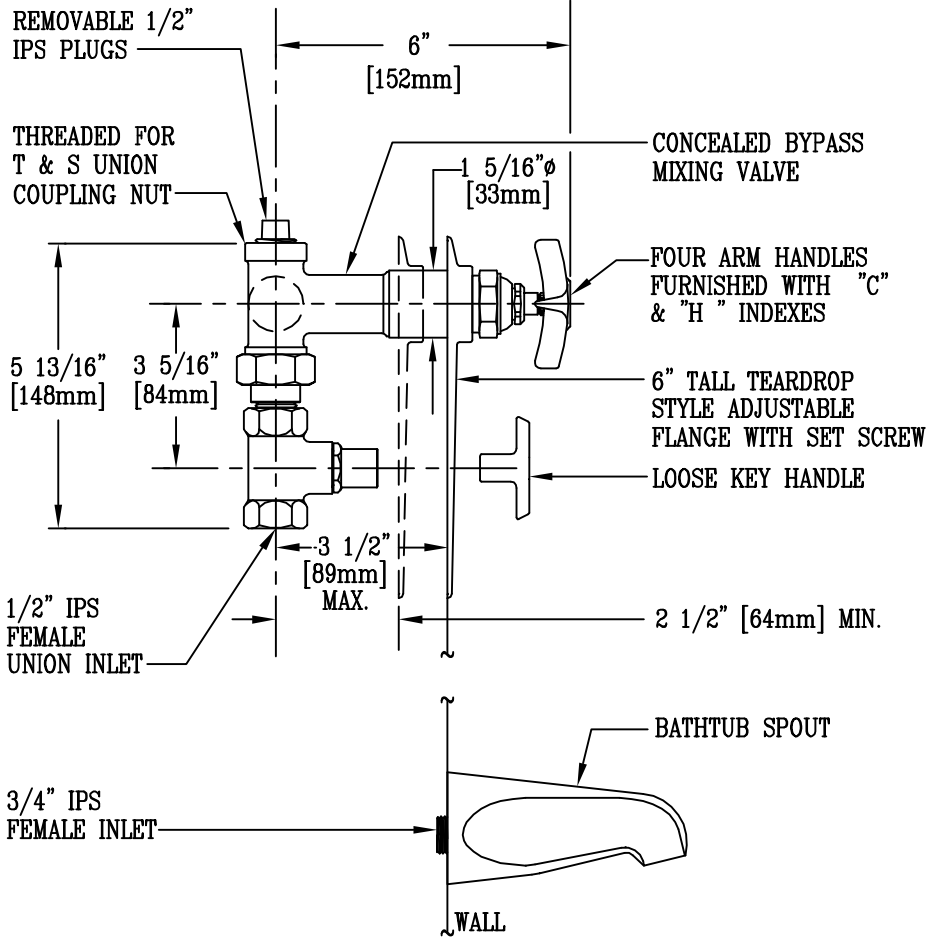
Item No.:

REG.#A2601  
ISO #9002

Job Name:

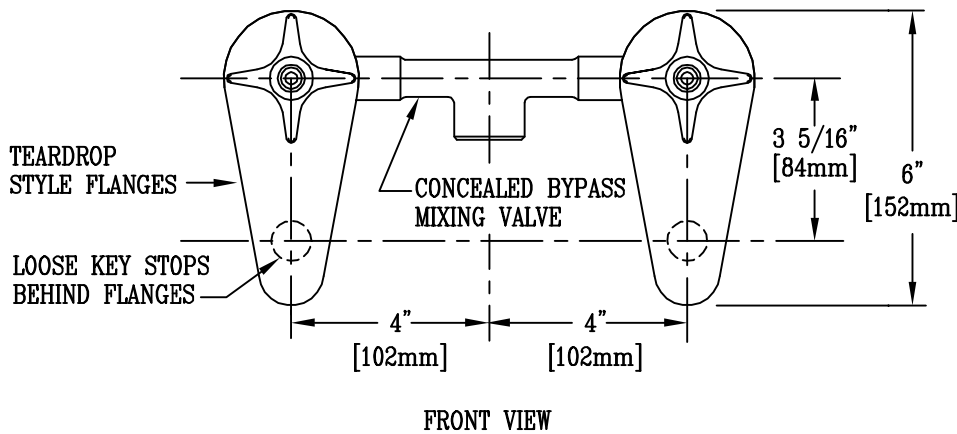
Architect/Engineer Approval:

Notes:



ADA COMPLIANT

SIDE VIEW



NOTES : SUPPLY MAY BE FROM ABOVE OR BELOW

VALVE ALSO AVAILABLE ON 6" C/C INLETS. SPECIFY.

Product Description:

CONCEALED BYPASS MIXING VALVE WITH 1/2" IPS INLETS, 3/4" IPS BOTTOM OUTLET, INTEGRAL LOOSE KEY STOPS, FOUR ARM HANDLES, & TUB SPOUT

Drawn:

WJS

Approved

CA

Checked

SCM

Scale:

3" = 1'

Date:

8/11/95