



**T&S BRASS AND BRONZE WORKS, INC.**  
 2 SADDLEBACK COVE / P.O. BOX 1088 / TRAVELERS REST, SC 29690  
 PHONE 800-476-4103 FAX 864- 834-3518



REG.#A2601  
 ISO #9002

Sales No.

B-1100-KD

Item No.:

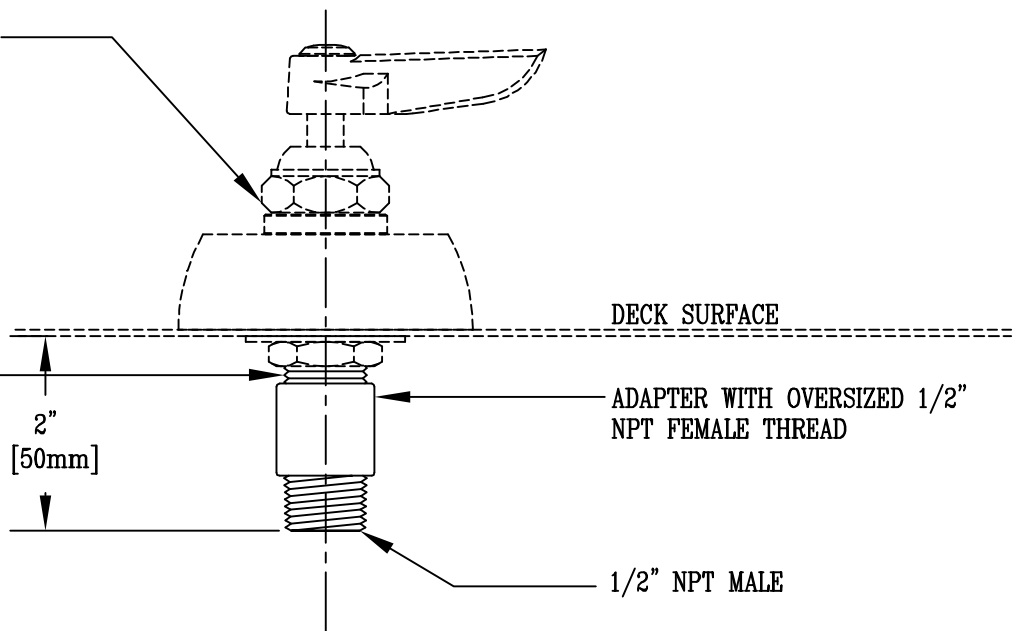
Job Name:

Architect/Engineer Approval:

Notes:

(FAUCET NOT SUPPLIED)

USE B-1100-KD WITH  
 EXISTING B-1100  
 STYLE FAUCETS w/  
 1/2" NPSM THREAD



Product Description:

RETRO-FIT KIT FOR EXISTING  
 B-1100 STYLE DECK MOUNT FAUCETS

Drawn:

WJS

Checked

MVW

Scale:

1 : 2

Approved

MVW

Date:

7/27/01