



T&S BRASS AND BRONZE WORKS, INC.
 2 SADDLEBACK COVE / P.O. BOX 1088 / TRAVELERS REST, SC 29690
 PHONE 800-476-4103 - FAX 864- 834-3518



Model No.

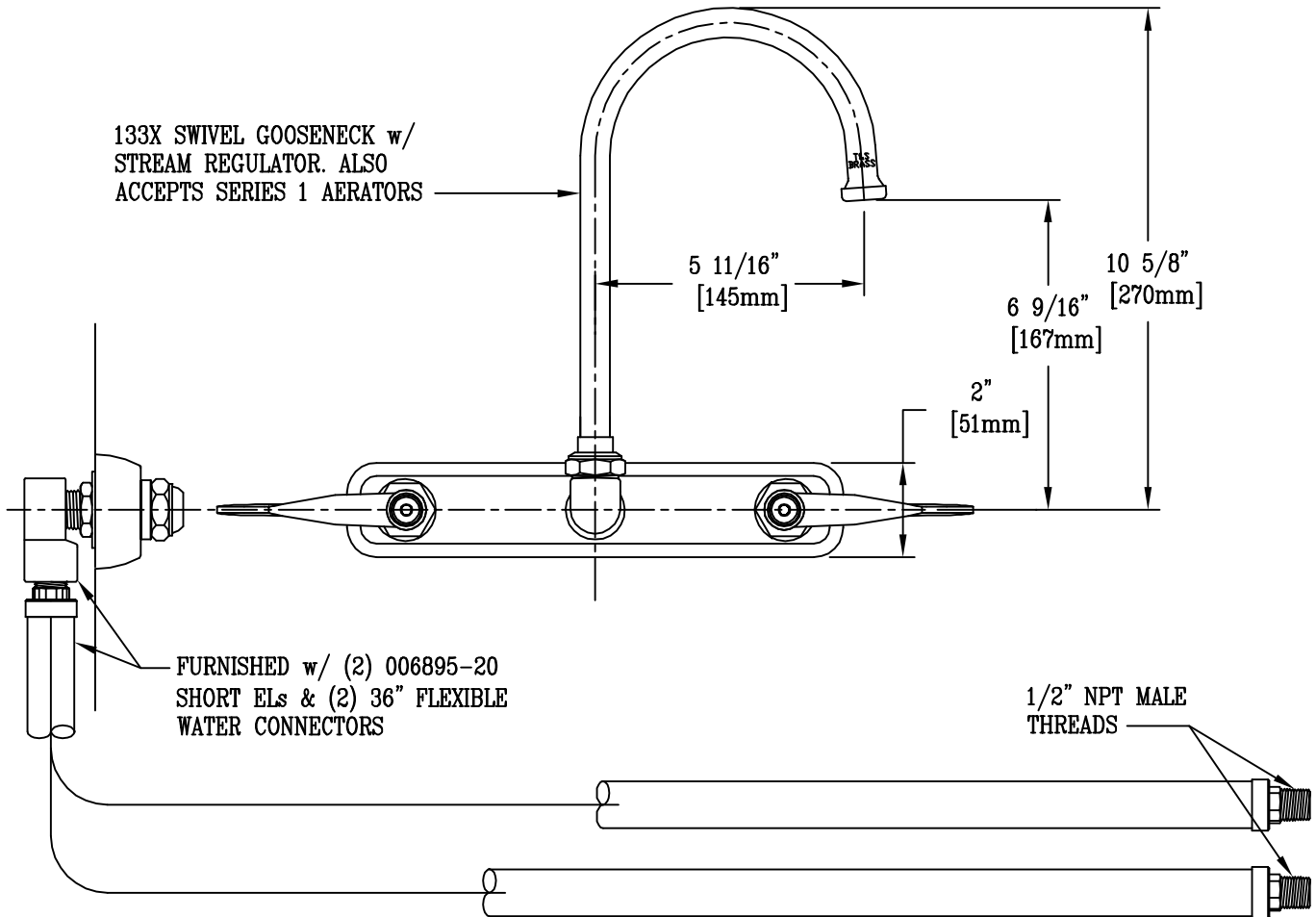
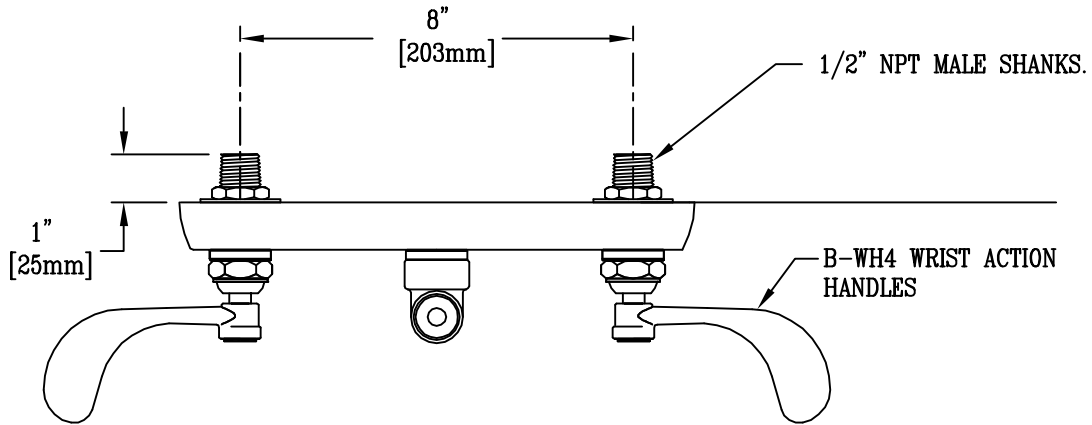
B-1144

**RELIABILITY
 BUILT IN**

Job Name:

Architect/Engineer Approval:

Notes:



Product Description:
 8" c/c WALL MOUNT WORKBOARD FAUCET w/ 1/2" NPT
 MALE SHANKS, B-WH4 WRIST ACTION HANDLES, 133X SWIVEL
 GOOSENECK, & 36" FLEXIBLE WATER CONNECTORS

Drawn:

WJS

Checked

MVW

Scale:

1 : 4

Approved

MVW

Date:

7/15/02