



**T&S BRASS AND BRONZE WORKS, INC.**  
 2 SADDLEBACK COVE / P.O. BOX 1088 / TRAVELERS REST, SC 29690  
 PHONE 800-476-4103 - FAX 864- 834-3518



Model No.

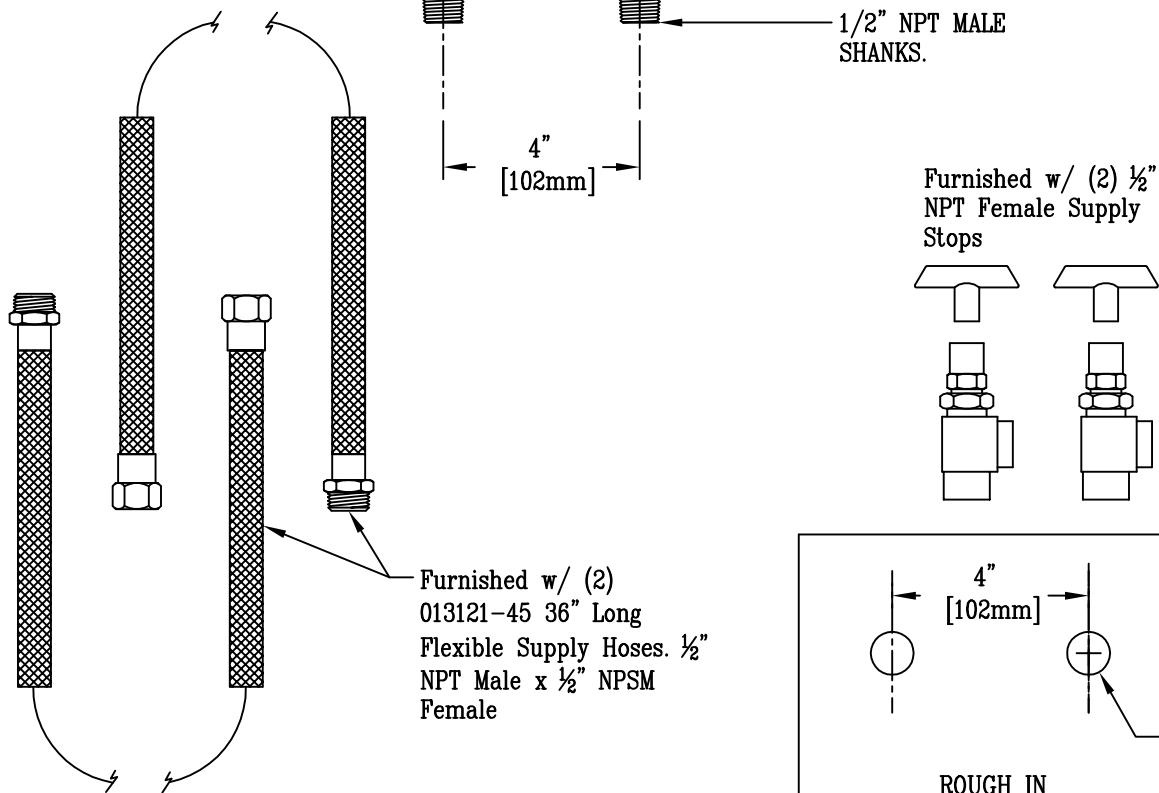
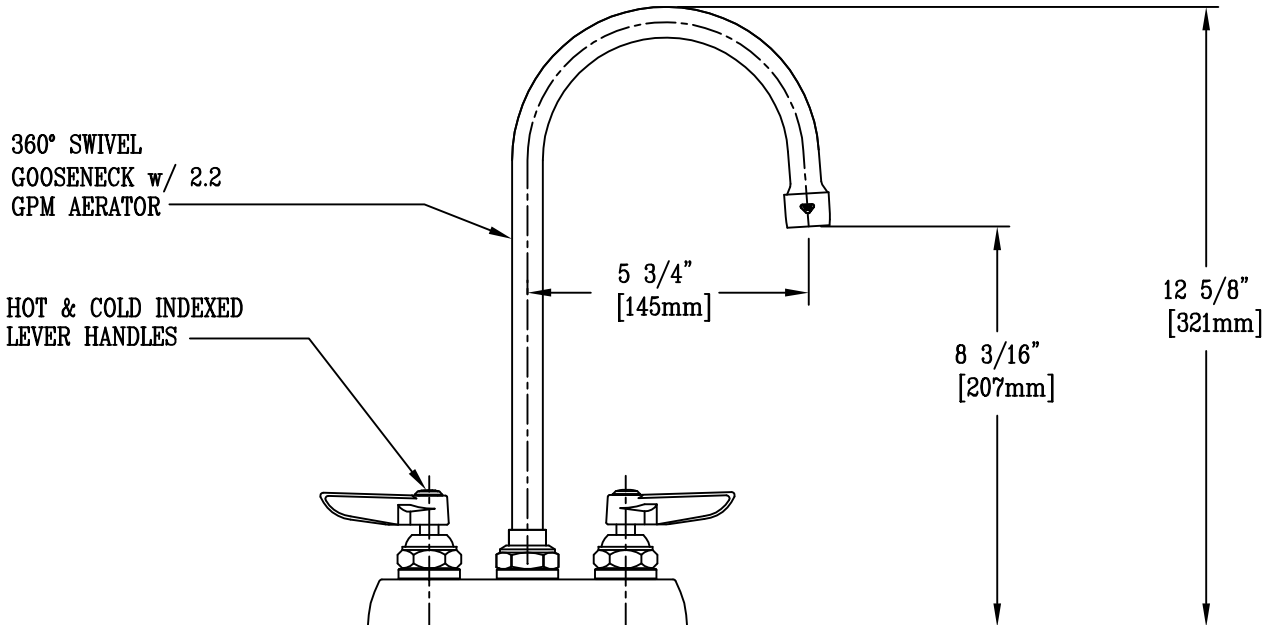
B-1161

**RELIABILITY  
 BUILT IN**

Job Name:

Architect/Engineer Approval:

Notes:



Product Description:  
 4" c/c DECK MOUNT MIXING FAUCET w/ 1/2" NPT MALE SHANKS,  
 LEVER HANDLES, SWIVEL GOOSENECK w/ 2.2 GPM AERATOR,

Drawn: WJS	Checked JRM	Scale: 1 : 4
Approved JHB		Date: 04/26/06