



**T&S BRASS AND BRONZE WORKS, INC.**  
 2 SADDLEBACK COVE / P.O. BOX 1088 / TRAVELERS REST, SC 29690  
 PHONE 800-476-4103 FAX 864-834-3518



Model No.

B-1538

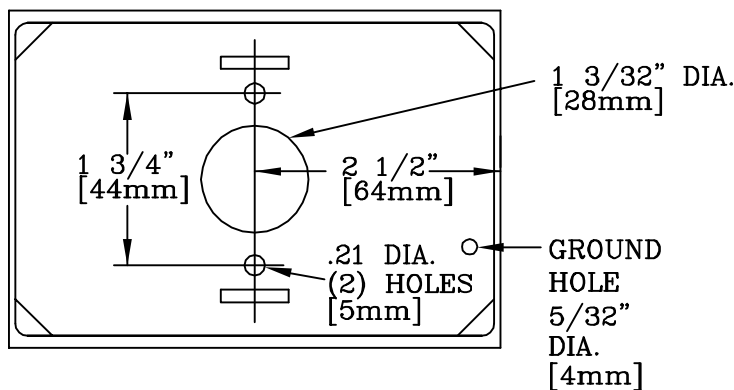
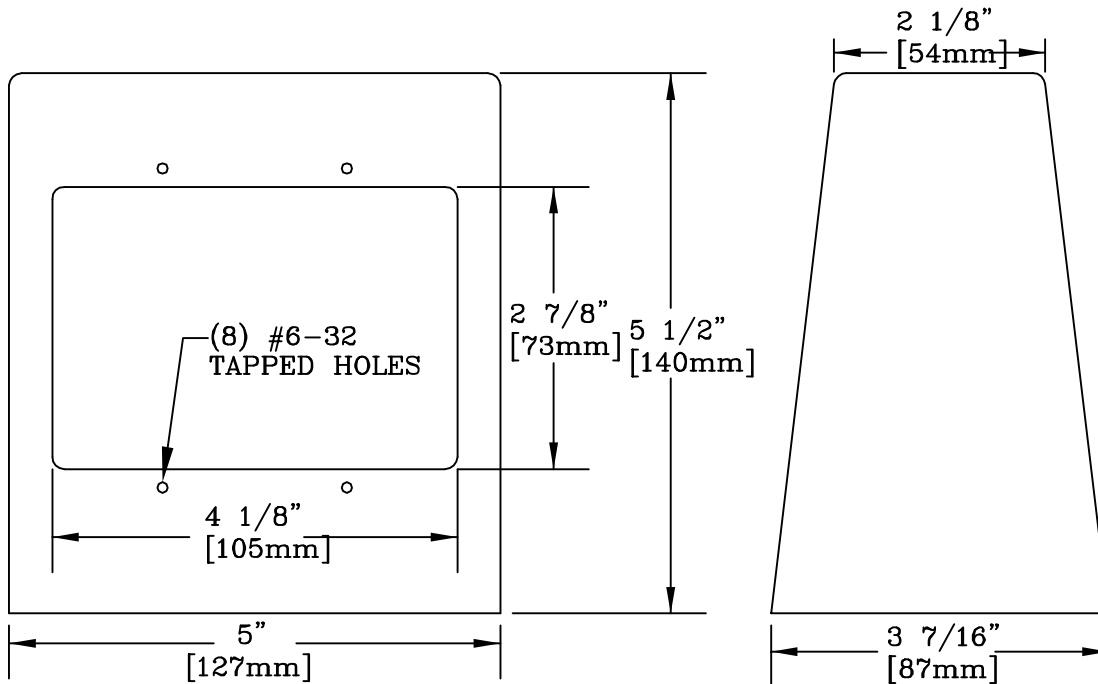
Item No.:

REG.#A2601  
ISO #9002

Job Name:

Architect/Engineer Approval:

Notes:



NOTE: TO FIT 3/4" NPS CONDUIT NIPPLE

Product Description:

DOUBLE GANG / DOUBLE FACE ELECTRICAL BOX

Drawn:

MW

Approved

MW

Checked

WJS

Scale:

1:2

Date:

12/4/98