



T&S BRASS AND BRONZE WORKS, INC.
 2 SADDLEBACK COVE / P.O. BOX 1088 / TRAVELERS REST, SC 29690
 PHONE 800-476-4103 FAX 864-834-3518



REG.#A2601
 ISO #9002

Model No.

B-2089-06

Item No.:

Job Name:

Architect/Engineer Approval:

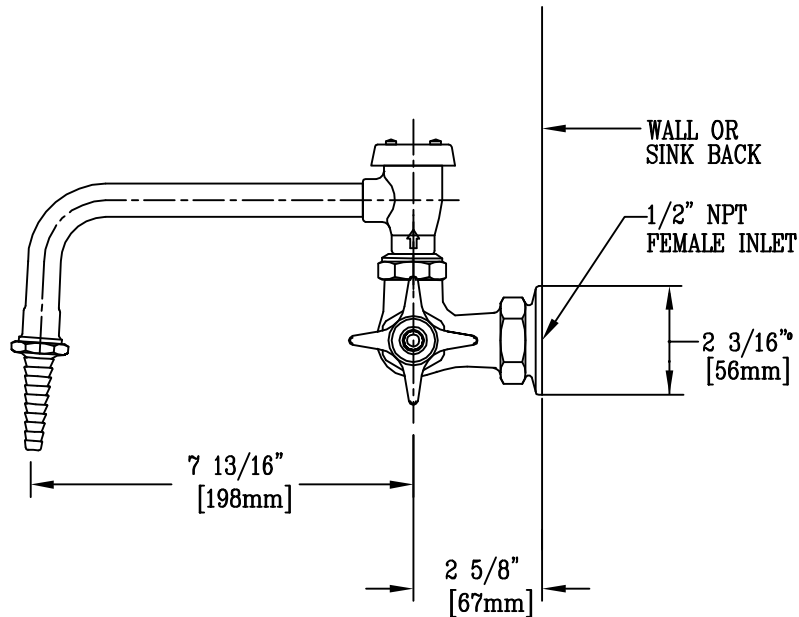
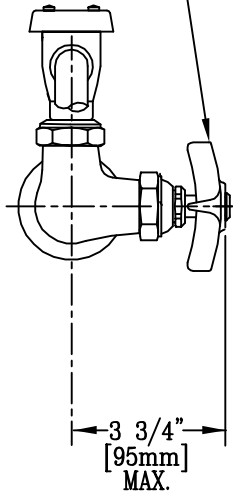
Notes:

**PRELIMINARY
 DRAWING IN THE
 APPROVAL PROCESS**



ADA COMPLIANT

FOUR-ARM
 KITCHEN
 HANDLE



Product Description:

SINGLE WALL MOUNT FAUCET WITH VACUUM BREAKER
 SWING NOZZLE AND B-0198 SERRATED TIP OUTLET

Drawn:

WJS

Approved

Checked

Scale:

1 : 4

Date: