



T&S BRASS AND BRONZE WORKS, INC.

2 SADDLEBACK COVE / P.O. BOX 1088 / TRAVELERS REST, SC 29690

PHONE 800-476-4103

FAX 864-834-3518



REG. #A2601
ISO #9002

Model No.

B-2238

Item No.:

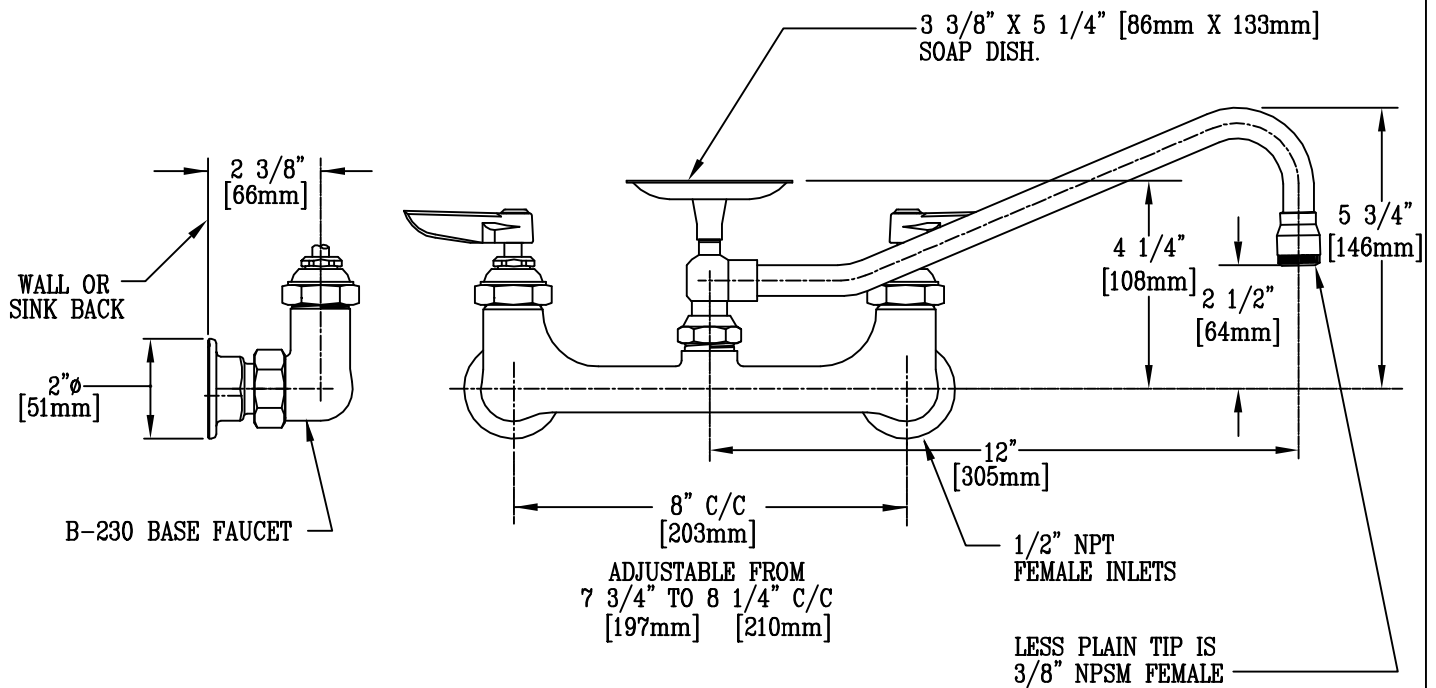
Job Name:

Architect/Engineer Approval:

Notes:



ADA COMPLIANT



Product Description:

B-230 BASE FAUCET WITH 162-X
SOAP DISH SWING NOZZLE

Drawn:

WJS

Checked:

SCM

Scale:

3" = 1'

Approved

CA

Date:

9-10-96