



T&S BRASS AND BRONZE WORKS, INC.
 2 SADDLEBACK COVE / P.O. BOX 1088 / TRAVELERS REST, SC 29690
 PHONE 800-476-4103 FAX 864- 834-3518



Model No.

B-2351

Item No.:

REG.#A2601
ISO #9002

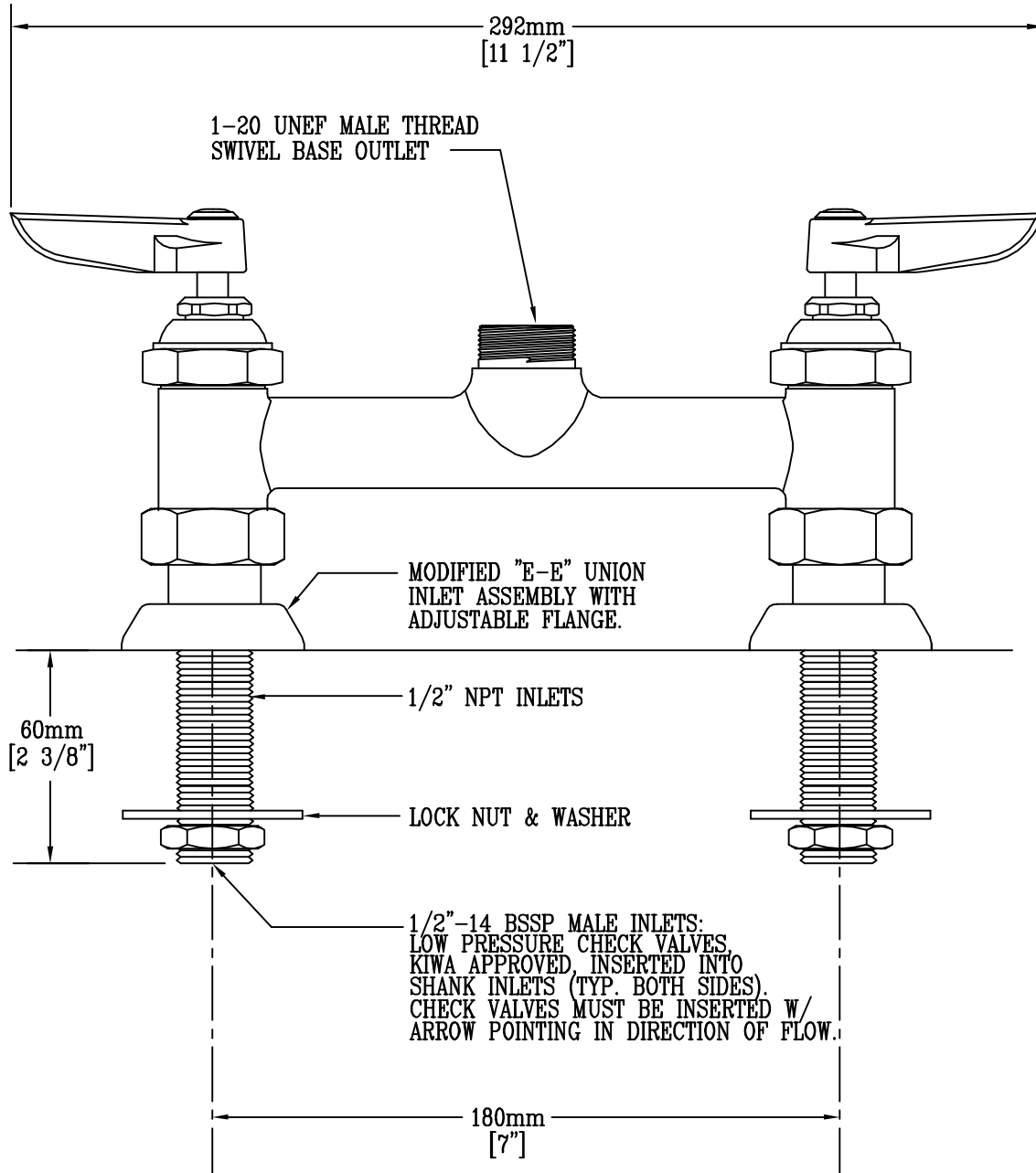
Job Name:

Architect/Engineer Approval:

Notes:



ADA COMPLIANT



Product Description:

180mm SWIVEL BASE FAUCET WITH
 MODIFIED "E-E" INLETS, LEVER HANDLES,
 & 1/2" BSSP MALE INLET SHANKS

Drawn:

WJS

Approved

Checked

Scale:

6"=1'

Date: