



T&S BRASS AND BRONZE WORKS, INC.

2 SADDLEBACK COVE / P.O. BOX 1088 / TRAVELERS REST, SC 29690

PHONE 800-476-4103

FAX 864-834-3518



REG.#A2601
ISO #9002

Model No.

BL-4740-04

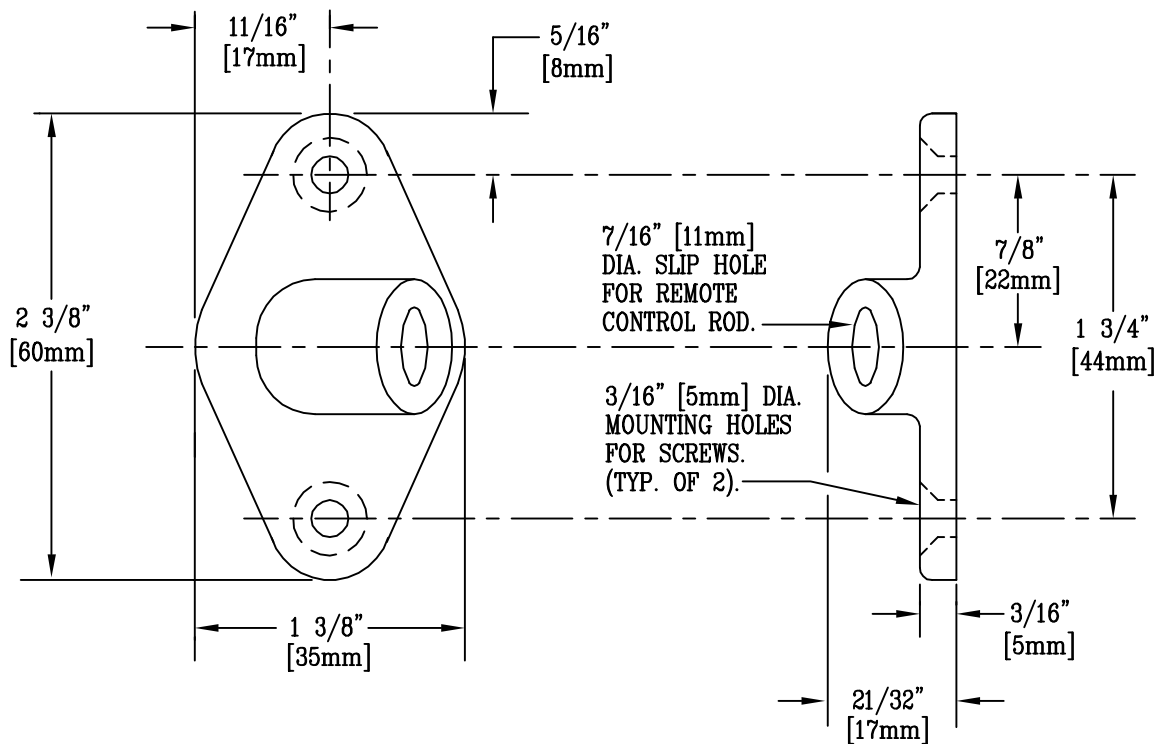
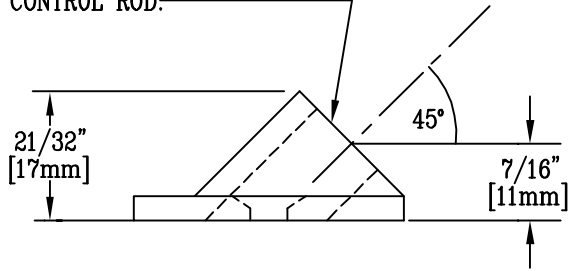
Item No.:

Job Name:

Architect/Engineer Approval:

Notes:

7/16" [11mm]
DIA. SLIP HOLE
FOR REMOTE
CONTROL ROD.



NOTE 1 : FURNISHED WITH (2) #8 X 1/2" LONG
OVAL HEAD STAINLESS STEEL SHEET METAL SCREWS.

Product Description:

45 DEGREE ANGLE
GUIDE BUSHING, BLACK NYLON

Drawn:

WJS

Checked

ARY

Scale:

1' = 1'

Approved

CA

Date:

10/26/95