



T&S BRASS AND BRONZE WORKS, INC.

2 SADDLEBACK COVE / P.O. BOX 1088 / TRAVELERS REST, SC 29690

PHONE 800-476-4103

FAX 864-834-3518



Model No.

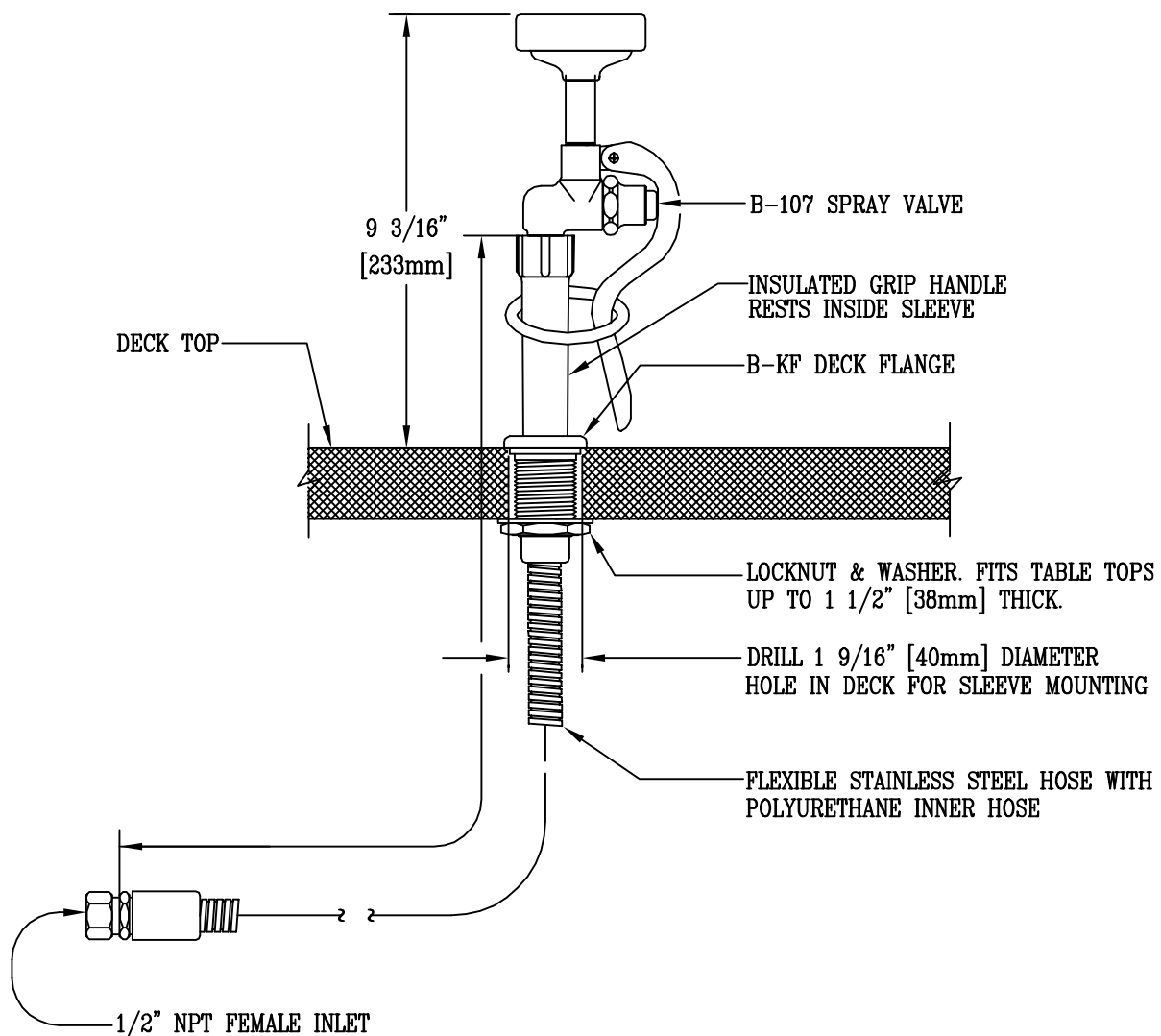
BL-5110-02F30

Item No.:

Job Name:

Architect/Engineer Approval:

Notes:



Product Description:

EMERGENCY SPRAY UNIT FOR TABLE TOP MOUNTING WITH FLEXIBLE S.S. HOSE, SPRAY VALVE, & 3 GPM FLOW REGULATOR

Drawn:

WJS

Checked

MVW

Scale:

1:4

Approved

MVW

Date:

8-2-00