



T&S BRASS AND BRONZE WORKS, INC.
 2 SADDLEBACK COVE / P.O. BOX 1088 / TRAVELERS REST, SC 29690
 PHONE 800-476-4103 FAX 803- 834-3518



Model No.

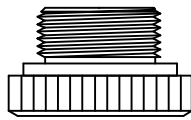
BL-5550-03

Item No.:

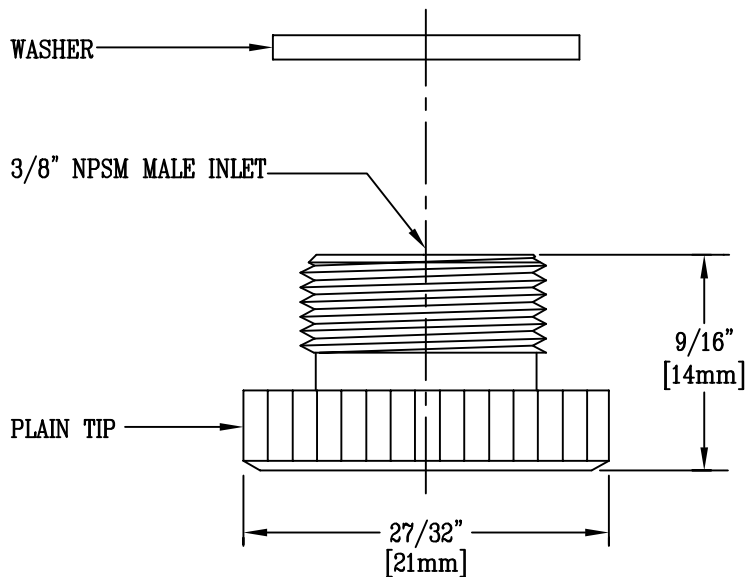
Job Name:

Architect/Engineer Approval:

Notes:



ACTUAL SIZE
ASSEMBLED VIEW



EXPLODED VIEW

FLOW TEST DATA	
FLOW PRESSURE-PSI	GPM
10 PSI	18.1
20 PSI	22.4
30 PSI	31.4
40 PSI	36.2
50 PSI	40.5

Product Description:

PLAIN TIP OUTLET WITH
3/8" NPSM MALE INLET

Drawn:

WJS

Checked

ARY

Scale:

2' = 1'

Approved

CA

Date:

10/26/95