



T&S BRASS AND BRONZE WORKS, INC.

2 SADDLEBACK COVE / P.O. BOX 1088 / TRAVELERS REST, SC 29690

PHONE 800-476-4103

FAX 803- 834-3518



REG.#A2601
ISO #9002

Model No.

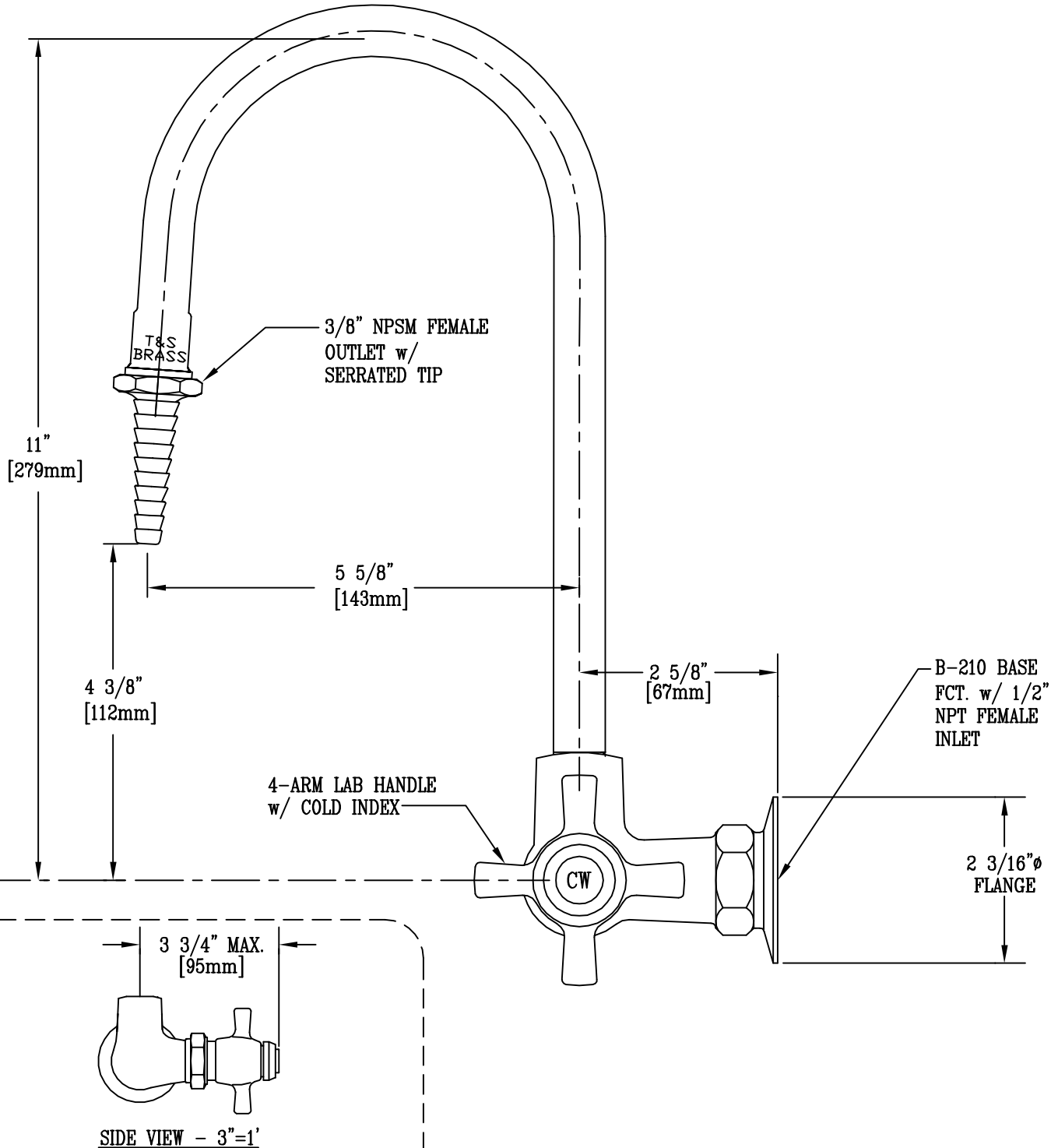
BL-5860-01

Item No.:

Job Name:

Architect/Engineer Approval:

Notes:



Product Description:

LABORATORY SINGLE SINK FAUCET
WITH RIGID GOOSENECK, 4-ARM HANDLE,
SERRATED TIP, 1/2" NPT FEMALE INLET

Drawn:

WJS

Checked

MVW

Scale:

1 : 2

Approved

MVW

Date:

6-16-99