



T&S BRASS AND BRONZE WORKS, INC.

2 SADDLEBACK COVE / P.O. BOX 1088 / TRAVELERS REST, SC 29690

PHONE 800-476-4103

FAX 864-834-3518



Model No.

EV-1100-SM

Item No.:

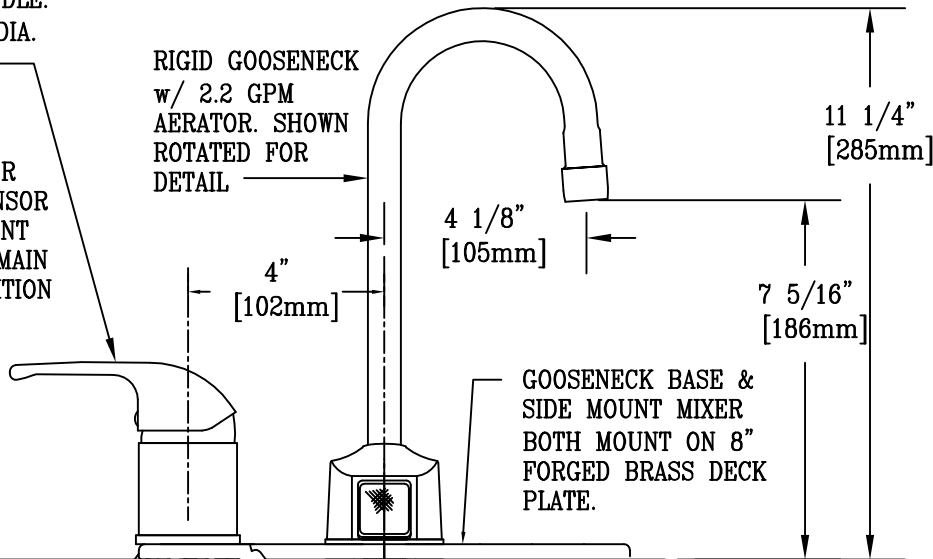
Job Name:

Architect/Engineer Approval:

**SIDE MOUNT MIXER w/
SINGLE LEVER HANDLE.
REQUIRES 1 1/2" DIA.
CUTOUT HOLE**

**NOTE:
TO ENSURE PROPER
OPERATION OF SENSOR
FAUCET, SIDE MOUNT
MIXER SHOULD REMAIN
IN THE OPEN POSITION
AT ALL TIMES**

**RIGID GOOSENECK
w/ 2.2 GPM
AERATOR. SHOWN
ROTATED FOR
DETAIL**



**3/8" x 20" FLEX.
SUPPLIES WITH
COUPLINGS TO
SIDE MOUNT
MIXER. TYP 2 PL**

**MIXED WATER FLEX.
SUPPLY HOSE &
FITTINGS TO 24VAC
SOLENOID VALVE**

**CHECK VALVE
ASSEMBLIES FOR
CROSSFLOW
PREVENTION. TYP.
BOTH SIDES**

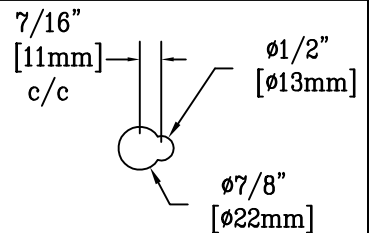
**SUPPLY STOPS
BY OTHERS**

CONTROL MODULE

**120VAC/24VAC
PLUG IN
TRANSFORMER**

**10 FT. POWER
CORD**

**Detail 1:
HOLE PATTERN ON
COVERPLATE FOR
SHANK & WIRE**



Product Description:

ELECTRONIC FCT. w/ SIDE MOUNT MIXER, 8" FORGED BRASS DECKPLATE,
RIGID GOOSENECK w/ 2.2 GPM AERATOR,
AND CHECK VALVES FOR CROSSFLOW PREVENTION

Drawn:

WJS

Checked

GEF

Scale:

1 : 4

Approved

JHB

Date:

12/22/06