



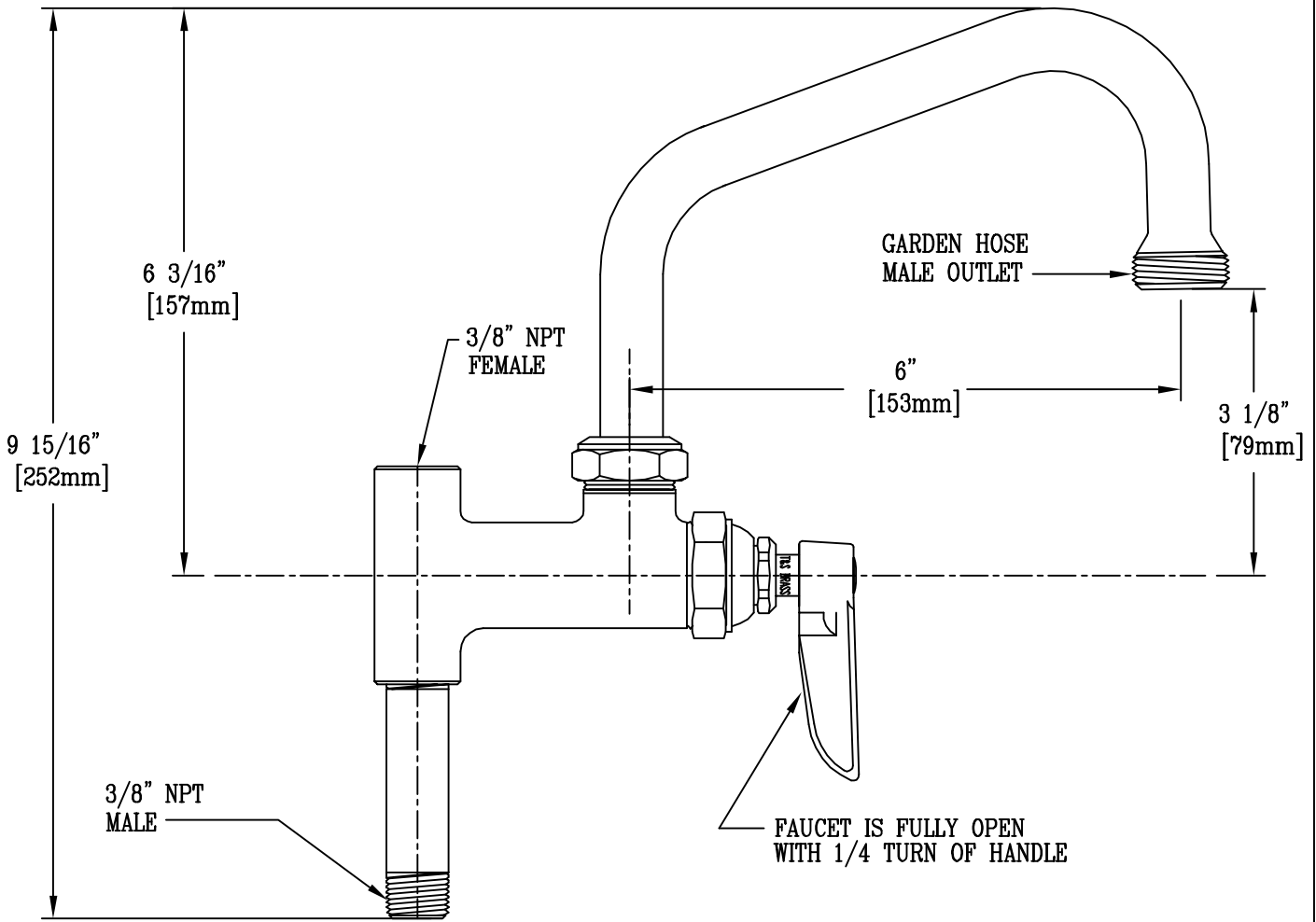
T&S BRASS AND BRONZE WORKS, INC.
 2 SADDLEBACK COVE / P.O. BOX 1088 / TRAVELERS REST, SC 29690
 PHONE 800-476-4103 FAX 864- 834-3518



Model No.
 PG-ADF6-GH
 Item No.:

Job Name: Architect/Engineer Approval:

Notes:



Product Description: ADD ON FAUCET w/ 6" SWING NOZZLE AND GARDEN HOSE MALE OUTLET	Drawn: WJS	Checked: LEL	Scale: 1 : 2
	Approved: MVW		Date: 03/19/03